

Webb Wheel Products

# CATALOG

BRAKE DRUMS • ROTORS • HUBS • SPOKE WHEELS

Your wheel-end EXPERTS!



Made in the USA

**WEBB**

[www.webbwheel.com](http://www.webbwheel.com)



A Marron | Berkshire Hathaway Company



# TABLE OF CONTENTS

## Brake Drum Section

Brake Drum Types.....3

Brake Drum Option Codes.....3

Obsolete Brake Drums Having No Replacement.....4

Brake Drum Data Sheet.....5

Brake Drum Part Numbers Available in Pallet Quantity.....6

Numerical Brake Drum Listing (By Webb Part Number).....7-18

Progressive Brake Drum Listing by Size.....19-29

## Disc Brake Rotor Section

Numerical Disc Brake Rotor Listing (By Webb Part Number).....30-32

## Cross Reference Section

Visit our website for the most up to date cross refrence. [www.webbwheel.com](http://www.webbwheel.com)

Brake Drum Maximum Wear Diameter.....33-34

Brake Drum and Rotor Service Information .....35-46

## Hub & Spoke Wheel Section

Obsolete Hubs & Spoke Wheels.....47-48

Hub Axle Groups.....49

Hub Numerical Listing.....50-55

Spoke Wheel Numerical Listing.....56

## Components Section

Components Listing.....57-62

Warranty.....63

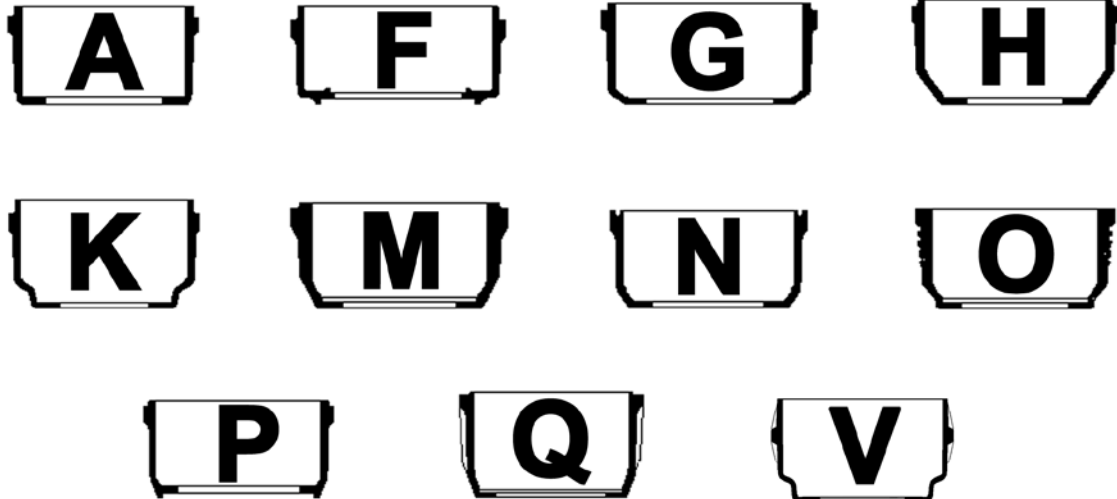
Webb Wheel Products, Inc. reserves the right to revise, discontinue or change the specifications of any part number listed.

WEBB® is a registered trademark of Webb Wheel Products, Inc.

# BRAKE DRUM OPTIONS



## BRAKE DRUM TYPES



---

## BRAKE DRUM CODES

The following codes indicate options that are available on our brake drums. The standard code on our brake drums is "F". When ordering, change the "F" code to any of the codes when the option shown is required.

*NOTE: Some brake drums are furnished "Balanced Only" as standard ("F" code is not available), in the case of truck and some trailer brake drums. These brake drums are already coded "B" in the catalog. When ordering, change the "B" code to any of these codes where balancing is included as a part of the option when the option shown is required.*

### CODES:

B=Balanced

BW=Balanced+Wear Indicator

C=Special Drilling+Balanced

Special Drilling covers the drilling and tapping of holes for Anti-Skid, Speedometers, Noise Dampeners etc. that are not drilled and tapped as standard.

D=Undersize+Balanced

F=Standard Finished

H=Special Hardness

J=Special Hardness+Balanced

U=Undersized

Z=Oversize+Balanced

---

Installation, Service and Safety Instructions are available at no cost by contacting our Sales Department at:

WEBB WHEEL PRODUCTS, INC.

Website: [www.webbwheel.com](http://www.webbwheel.com)

Do not attempt to install or repair hubs, wheels, brake drums or rotors unless you have read and understand the instructions.



## OBSOLETE BRAKE DRUMS HAVING NO REPLACEMENT

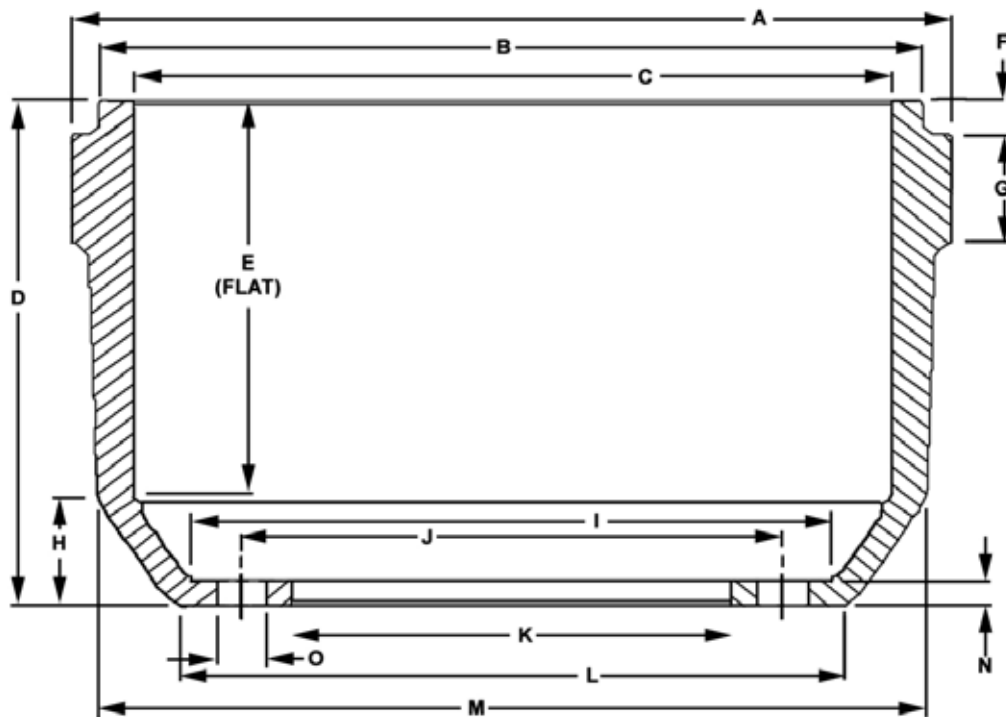
61731F	61785F	63424F	64046U	64438F	65829B	66897B
61733F	61786F	63425F	64048J	64440F	65831B	66898F
61791F	61821F	63427F	64048U	64441F	65835B	66899B
62358F	61831F	63428F	64051U	64442F	66036F	67128B
63035F	61841F	63429F	64057F	64443F	66066F	67205F
66283F	61852F	63430F	64058B	64444F	66076F	67397B
61503F	61857F	63432F	64059F	64445F	66077F	67399B
61511F	61860F	63435F	64060B	64446F	66221F	67442B
61516F	61863F	63436F	64062F	64448F	66231F	67517F
61517F	61864F	63437F	64069B	64449F	66241F	67519F
61518B	61870F	63447F	64069F	64450F	66256F	67547F
61526F	61950D	63625F	64072F	64453F	66258F	67599F
61536F	61952F	63629F	64078F	64455F	66285F	67707B
61542F	61953F	63632F	64082F	64456F	66086F	68001F
61544F	61954F	63633F	64089U	64457F	66095F	68012F
61545F	61955F	63636F	64089Z	64459F	66141B	68013F
61547F	61957F	63639F	64091F	64460F	66200F	68036F
61549F	61980F	63640F	64102F	64461F	66201F	68037F
61554F	62027F	63643F	64106F	64463F	66202F	68416F
61555F	62055F	63645F	64113U	64464F	66350B	68518F
61564F	62057F	63652F	64115D	64465F	66367F	68665F
61566F	62071F	63653F	64115K	64469F	66416F	68710F
61572F	62072F	63656F	64115U	64471F	66517F	68731F
61573B	62074F	64000F	64115V	64473F	66519F	68733F
61575F	62092F	64001F	64116F	64474F	66547F	68735F
61578B	62115B	64003D	64117K	64477F	66580F	68736F
61579F	62119F	64003U	64117M	64478F	66626B	68801F
61580F	62142F	64004B	64117U	64479F	66626F	68821F
61581F	62199F	64004D	64119D	64480F	66627F	68830B
61583F	62292F	64004Y	64119H	64482F	66662B	68831F
61586F	62314F	64006F	64119J	64484F	66664F	68841F
61589F	62315F	64046B	64119U	64485F	66667B	68844F
61590F	62385F	64046H	64130B	64486F	66669F	68847F
61595F	62435F	64048B	64131F	64487F	66683F	68849F
61597F	62437F	64048H	64131H	64488F	66684F	68862F
61598F	62439F	64065F	64131J	64490F	66694F	68867F
61599F	62451F	64066F	64215F	64492F	66786F	68872B
61600B	62562F	64403F	64217F	64493F	66801B	68878F
61601B	62573F	64405F	64401F	64494F	66810F	68879F
61601F	62585F	65165B	64402F	64496F	66812D	68885F
61602F	62600F	65181B	64406F	64497F	66818F	68887B
61604F	62634F	65182B	64407F	64498F	66823F	68888F
61605F	62699F	65183B	64408F	64566F	66824F	68894F
61606F	62755F	66890B	64409F	65147B	66825B	68896F
61610F	62928F	64009B	64410F	65154F	66828F	68898F
61612F	62989F	64009D	64412F	65155B	66829F	68902F
61618F	63152F	64015U	64414F	65156B	66835F	68903F
61622F	63163F	64016F	64415F	65159B	66842F	68908F
61624F	63213F	64017U	64416F	65168B	66844B	68909F
61625F	63214F	64018F	64417F	65171F	66847F	68910F
61626F	63236F	64021F	64418F	65173B	66848F	68911F
61627F	63240F	64028F	64419F	65197B	66858B	68916F
61628F	63241F	64031F	64420F	65246F	66860F	68917F
61651F	63258F	64033F	64421F	65250F	66861F	68918B
61655F	63279F	64035B	64422F	65474F	66867B	68921F
61659F	63290F	64035F	64423F	65476F	66868F	68922F
61665F	63406F	64036B	64424F	65511B	66876F	68923F
61721F	63410F	64036F	64426F	65515B	66878B	68924F
61722F	63411F	64038B	64427F	65518B	66878F	68926F
61723F	63412F	64038F	64428F	65518F	66879F	68927F
61724F	63415F	64039F	64429F	65526B	66881B	68928F
61725F	63416F	64040U	64430F	65540B	66882F	68940F
61727F	63417F	64040Z	64431F	65593F	66883B	68941F
61728F	63418F	64041F	64433F	65604B	66883F	68946F
61731F	63419F	64041U	64434F	65650B	66885F	68948F
61774F	63420F	64042B	64435F	65652B	66886B	68950F
61775F	63422F	64044F	64436F	65735F	66887B	68955F
61777F	63423F	64046K	64437F	65758F	66891F	68960F

## BRAKE DRUM DATA SHEET

When selecting a Webb replacement drum, the manufacturer's name and part number is helpful. If this information is not available, a replacement drum can be selected by comparing dimensions. A drawing is shown below, and at the beginning of the Progressive Section, which indicates the dimensions required to determine the existence of a replacement drum. If all of the dimensions shown are not available, we must have at least dimensions C, D, E, J, K and O to make a selection.

Information required for drums not listed in this catalog:

1. Wheel or Hub Number \_\_\_\_\_
2. Make and Number of Axle \_\_\_\_\_
3. Manufacturer's Brake Drum Number \_\_\_\_\_
4. Drum Type (See Page 3) \_\_\_\_\_
5. Actual Brake Drum Dimensions (See Figure Below) \_\_\_\_\_



- |  |                                |
|--|--------------------------------|
| A. Overall Diameter of Drum                            | I. Inside Finished Diameter    |
| B. Dust Shield Recess Diameter, If Applicable          | J. Bolt Circle Diameter        |
| C. Brake Surface Diameter                              | K. Pilot Diameter              |
| D. Overall Depth                                       | L. Outside Finished Diameter   |
| E. Brake Surface Flat                                  | M. Diameter at Taper           |
| F. Depth of Dust Shield Recess                         | N. Backplate Thickness         |
| G. Squeealer Band Thickness                            | O. Bolt Holes: Number and Size |
| H. Distance from Outside of Backface to Start of Taper |                                |



## BRAKE DRUM PART NUMBERS AVAILABLE IN PALLET PROGRAM

Commercial Highway Drums					
Part Number	Quantity Per Pallet	Part Number	Quantity Per Pallet	Part Number	Quantity Per Pallet
60876F20	20	65545B20	20	66873B20	20
61527B20	20	65547B20	20	66873B20	20
61528B20	20	65548B20	20	66873F20	20
61988B16	16	65600B20	20	66875F20	20
61991F12	12	65600C20	20	66884B20	20
62200F20	20	65670B20	20	66884F20	20
62997F20	20	65710B20	20	66893F20	20
63680F32	32	66353B20	20	66895B20	20
64015B16	16	66353F20	20	67518F20	20
64050B16	16	66364B20	20	68730F20	20
64051B16	16	66366B20	20	68897F20	20
64053B16	16	66800B20	20	68981B20	20
64115B16	16	66800F20	20	77528B20	20
64115C16	16	66807B20	20	77710B20	20
64115J16	16	66808B20	20	77800BW20	20
64117B20	20	66809B20	20	77854BW20	20
64117J20	20	66814B16	16	77864BW20	20
64119B20	20	66834F16	16	77807BW20	20
64125B16	16	66854B20	20	77808BW20	20
65119J20	20	66854F20	20	77809BW20	20
65152B20	20	66855B20	20		
65161B20	20	66864B20	20		
65169B20	20	66864F20	20		



## BRAKE DRUM NUMERICAL SECTION

Drum Number	Weight	Type	Mount	Backface Thickness	Brake Surface Diameter	Overall Depth	Brake Surface Flat	Pilot Diameter	Bolt Circle Diameter	Bolt Holes		Special Information
										No.	Size	
56864B	104	K	O	0.50	16.50	10.52	7.54	8.78	11.25	10	1.08	
60660B	OBSOLETE - Use 65545F											
60876B	107	K	O	0.56	16.50	10.75	7.50	9.44	11.25	10	0.81	
60876F	108	K	O	0.56	16.50	10.75	7.50	9.44	11.25	10	0.81	*See footer.
61510B	91	K	O	0.50	15.00	9.75	7.52	8.78	11.25	10	1.00	
61511F	73	K	O	0.50	15.00	8.02	4.32	9.00	11.25	10	1.31	
61526F**	69	K	I	0.44	15.00	7.00	5.36	9.37	11.25	10	0.81	
61527B	70	K	O	0.50	15.00	8.86	4.78	8.78	11.25	10	1.00	*See footer.
61528B	70	K	O	0.50	15.00	8.86	4.78	8.78	11.25	10	1.31	*See footer.
61529B	70	H	O	0.50	15.00	8.86	4.78	8.75	11.25	10	1.31	
61529F	70	H	O	0.50	15.00	8.86	4.78	8.75	11.25	10	1.31	
61536F	80	K	I	0.50	15.00	8.54	6.41	6.25	8.75	6	0.84	
61548F	93	H	I	0.50	15.00	9.44	7.50	9.75	11.25	5	0.66	
61554F	67	G	I	0.50	15.00	7.56	5.50	9.50	11.25	10	0.81	
61566F	70	A	I	0.50	15.00	7.06	6.38	9.44	11.00	5/6	0.66	
61567B	97	K	O	0.50	15.00	10.41	7.57	8.78	11.25	10	1.00	
61567F	97	K	O	0.50	15.00	10.41	7.57	8.78	11.25	10	1.00	
61569F	OBSOLETE - Use 61599F**											
61570F	OBSOLETE - Use 61571F											
61571F	106	K	O	0.50	15.00	10.59	7.75	8.53	11.25	10	0.81	
61574F	98	K	O	0.50	15.00	10.09	7.25	8.53	11.25	10	0.81	
61576B	105	K	O	0.50	15.00	10.59	7.75	9.00	10.83	8	1.00	
61576F	105	K	O	0.50	15.00	10.59	7.75	9.00	10.83	8	1.00	
61577B	104	K	O	0.50	15.00	10.59	7.75	8.78	11.25	10	1.00	
61577F	104	K	O	0.50	15.00	10.59	7.75	8.78	11.25	10	1.00	
61586F	101	K	O	0.44	15.00	10.93	7.50	6.44	8.75	6	0.81	
61591F	102	K	O	0.50	15.00	10.38	7.56	8.53	11.25	10	0.81	For Girling Brakes.
61595F**	88	G	I	0.50	15.00	8.12	7.32	9.50	11.25	5/6	0.78	
61599F**	87	G	I	0.50	15.00	8.38	7.19	11.00	12.50	5/6	0.66	
61600B**	86	G	I	0.50	15.00	8.38	7.19	11.25	12.75	5/6	0.78	
61601F	82	A	I	0.50	15.00	7.38	6.50	11.25	12.75	5/6	0.66	
61606F**	88	G	I	0.50	15.00	8.62	7.44	11.00	12.50	5/6	0.66	
61609F	OBSOLETE - Use 61600B**											
61612F**	84	G	I	0.50	15.00	8.16	6.97	11.00	12.50	5/6	0.66	
61721F	OBSOLETE - Use 61727F											
61723F	OBSOLETE - Use 61733F											
61724F	OBSOLETE - Use 62240F											
61725F	OBSOLETE - Use 61730F											
61727F**	111	H	I	0.50	16.50	8.75	7.50	11.00	12.50	5/6	0.66	
61729F	OBSOLETE - Use 62240F											
61730F	98	H	I	0.50	16.50	8.78	7.41	11.25	12.75	5	0.78	
										6	0.66	

Mount I=Inboard, O=Outboard

See Page 4 for Obsolete with No Replacement Brake Drums.

\*Available for purchase through the pallet program. See Page 6 for pallet part numbers.

\*\*Will become obsolete when current inventory is depleted. Call for availability - if purchased, parts are non-returnable.



## BRAKE DRUM NUMERICAL SECTION

Drum Number	Weight	Type	Mount	Backface Thickness	Brake Surface Diameter	Overall Depth	Brake Surface Flat	Pilot Diameter	Bolt Circle Diameter	Bolt Holes		Special Information
										No.	Size	
61731F	123	H	I	0.56	16.50	8.44	7.24	11.25	12.75	5/6	0.78	
61733F	134	H	I	0.56	16.50	8.88	7.62	11.00	12.75	6	0.66	**See footer
61778F	OBSOLETE - Use 61780F											
61780F	108	H	I	0.50	16.50	8.50	7.40	11.00	12.50	5/6	0.66	
61784F	OBSOLETE - Use 68981F											
61787F	OBSOLETE - Use 68897F											
61788F	134	A	I	0.56	18.00	8.24	7.38	11.00	12.75	6	0.66	
61791F	107	A	I	0.50	16.50	8.50	7.32	8.66	11.25	10	0.81	
61792F	OBSOLETE - Use 61780F											
61850F	135	H	I	0.56	18.00	8.75	7.50	9.00	13.19	10	1.06	
61853F	126	H	I	0.56	18.00	8.50	7.25	11.25	12.75	6	0.78	
61854F	134	H	I	0.56	18.00	8.75	7.50	11.25	12.75	6	0.66	
61855F	134	H	I	0.56	18.00	8.75	7.50	11.25	12.75	6	0.78	
61856F	138	H	I	0.56	18.00	8.75	7.50	9.50	11.25	6	0.66	
61859F	137	H	I	0.56	18.00	8.75	7.50	8.66	11.25	10	0.81	
61862F	135	H	I	0.56	18.00	8.75	7.50	9.00	11.25	10	1.06	
61870B	147	K	O	0.62	18.00	10.37	7.38	11.25	13.19	10	1.19	
61950B	77	K	O	0.50	15.00	9.84	6.64	8.78	11.25	10	1.00	Approved for 19.5 disc wheels
61951B	72	K	O	0.50	15.00	9.46	6.26	8.78	11.25	10	1.00	Approved for 19.5 disc wheels
61958B	78	K	O	0.50	15.00	9.84	6.64	9.00	10.83	8	1.00	Approved for 19.5 disc wheels
61959B	77	K	O	0.50	15.00	9.84	6.64	8.78	11.25	10	1.09	
61986F	OBSOLETE - Use 61988F											
61987F	OBSOLETE - Use 61989F											
61988B	110	K	O	0.50	15.00	11.59	9.21	8.78	11.25	10	1.00	Approved for 19.5 disc wheels
61988F	112	K	O	0.50	15.00	11.59	9.21	8.78	11.25	10	1.00	Approved for 19.5 disc wheels
61989B	105	K	O	0.50	15.00	11.59	9.21	9.00	10.83	8	1.00	Approved for 19.5 disc wheels
61989F	105	K	O	0.50	15.00	11.59	9.21	9.00	10.83	8	1.00	Approved for 19.5 disc wheels
61990F	OBSOLETE - Use 61991F											
61991B	118	K	O	0.50	15.00	11.75	9.22	8.78	11.25	10	1.00	Approved for 19.5 disc wheels
61991F	118	K	O	0.50	15.00	11.75	9.22	8.78	11.25	10	1.00	Approved for 19.5 disc wheels
61992F	118	K	O	0.50	15.00	11.75	9.22	8.78	11.25	10	1.09	Approved for 19.5 disc wheels
61998F	OBSOLETE - Use 61999F											
61999F	118	K	O	0.50	15.00	11.75	9.22	9.00	10.83	8	1.00	Approved for 19.5 disc wheels
62115B	88	G	I	0.56	16.50	6.69	5.41	10.00	12.75	5/6	0.78	
62116F	OBSOLETE - Use 62117F											

Mount I=Inboard, O=Outboard

See Page 4 for Obsolete with No Replacement Brake Drums.

\*Available for purchase through the pallet program. See Page 6 for pallet part numbers.

\*\*Will become obsolete when current inventory is depleted. Call for availability - if purchased, parts are non-returnable.





### BRAKE DRUM NUMERICAL SECTION

Drum Number	Weight	Type	Mount	Backface Thickness	Brake Surface Diameter	Overall Depth	Brake Surface Flat	Pilot Diameter	Bolt Circle Diameter	Bolt Holes		Special Information
										No.	Size	
62117F	90	A	I	0.56	16.50	6.41	5.33	10.00	12.75	5/6	0.78	
62199F	88	A	I	0.44	16.50	8.31	7.62	13.50	15.00	10	0.53	
62200F	104	H	I	0.50	16.50	9.50	7.38	9.44	11.25	10	0.81	*See footer.
62240F	98	G	I	0.50	16.50	8.78	7.41	11.25	12.75	5/6	0.78	
62358F	54	A	I	0.44	12.25	7.44	6.31	8.50	10.00	6	0.66	**See footer
62600F	OBSOLETE - Use 61600B**											
62670B	113	H	O	0.62	16.50	9.69	7.31	8.78	11.25	10	1.09	
62671B	113	H	O	0.62	16.50	9.69	7.31	8.78	11.25	10	1.31	
62671F	113	H	O	0.62	16.50	9.69	7.31	8.78	11.25	10	1.31	
62997B	96	G	I	0.56	16.50	8.69	7.63	10.50	12.75	5/6	0.78	
62997F	97	G	I	0.56	16.50	8.69	7.63	10.50	12.75	5/6	0.78	*See footer.
62998F	OBSOLETE - Use 62997F											
63030B	OBSOLETE - Use 63035B											
63031B	114	G	I	0.56	16.50	8.40	7.40	10.50	12.75	5	0.78	
63032F	105	G	I	0.56	16.50	8.23	7.23	11.25	12.75	5/6	0.78	
63035F	96	H	I	0.56	15.00	8.50	7.50	10.50	12.75	5/6	0.78	**See footer
63294F	62	G	I	0.50	15.00	5.88	4.94	10.00	12.75	5/6	0.78	
63410F	133	G	I	0.50	16.50	11.06	10.12	9.44	11.00	5	0.78	
										6	0.66	
63427F	84	G	I	0.56	16.50	6.50	5.56	9.00	11.25	5	0.78	
63436F	80	G	I	0.56	16.50	6.25	5.31	9.18	11.25	5/6	0.66	
63447F	79	G	I	0.56	16.50	6.25	5.31	9.44	11.00	5	0.78	
										6	0.66	
63617F	73	A	I	0.44	12.25	9.07	8.00	8.50	10.00	6	0.66	
63630F	71	H	I	0.50	12.25	8.59	6.25	7.12	8.75	10	0.81	
63631F	78	H	I	0.50	12.25	10.47	8.12	7.12	8.75	10	0.81	
63634F	71	H	I	0.50	12.25	8.59	6.25	7.12	8.75	6	0.81	
63635F	78	H	I	0.50	12.25	10.47	8.12	7.12	8.75	6	0.81	
63637F	79	G	I	0.44	12.25	9.06	7.81	7.00	8.25	6	0.53	
										6	0.66	
63647F	79	A	I	0.44	12.25	9.07	8.00	8.50	10.00	6	0.66	
63650F	79	A	I	0.56	12.25	9.12	8.40	7.25	8.75	6	0.81	
63654F	74	A	I	0.56	12.25	8.63	7.91	7.12	8.75	6	0.81	
63658F	74	A	I	0.56	12.25	8.63	7.91	7.12	8.75	10	0.81	
63680F	93	A	O	0.50	12.25	11.22	9.95	9.00	10.83	8	1.00	*See footer.
63688F	74	H	I	0.50	12.25	10.16	7.81	7.12	8.75	10	0.81	
63822F	OBSOLETE - Use 63647F											
64002F	OBSOLETE - Use 64004B											
64003F	OBSOLETE - Use 64113B											
64004B	88	Q	O	0.50	14.50	8.00	5.19	12.75	11.25	10	1.31	9.44 Hub Bore Vert. Ribbed *See footer.
64004F	OBSOLETE - Use 64004B											

Mount I=Inboard, O=Outboard

See Page 4 for Obsolete with No Replacement Brake Drums.

\*Available for purchase through the pallet program. See Page 6 for pallet part numbers.

\*\*Will become obsolete when current inventory is depleted. Call for availability - if purchased, parts are non-returnable.



## BRAKE DRUM NUMERICAL SECTION

Drum Number	Weight	Type	Mount	Backface Thickness	Brake Surface Diameter	Overall Depth	Brake Surface Flat	Pilot Diameter	Bolt Circle Diameter	Bolt Holes		Special Information
										No.	Size	
64007F	OBSOLETE - Use 64015B											
64009B	145	Q	O	0.50	14.50	11.50	8.31	13.00	11.25	10	1.31	9.44 Hub Bore, Vert. Ribbed
64009F	OBSOLETE - Use 64009B											
64015B	172	M	O	0.50	14.50	12.81	10.50	12.75	11.25	10	1.31	9.44 Hub Bore. *See footer.
64015F	OBSOLETE - Use 64015B											
64016F	37	A	I	0.41	15.00	3.94	3.45	10.00	11.25	5	0.53	
64017F	OBSOLETE - Use 64117B											
64018F	38	A	I	0.41	15.00	4.14	3.45	10.00	11.00	5	0.53	
64019F	OBSOLETE - Use 64112B											
64026F	145	G	O	0.62	16.14	10.83	9.13	11.10	13.19	10	0.94	
64028F	73	P	I	0.50	15.00	7.94	6.69	14.25	12.75	5	0.66	11.25 Hub Bore
64035F	131	H	O	0.62	16.50	9.19	5.62	9.00	11.25	10	1.31	
64036F	129	Q	O	0.50	15.00	8.75	6.55	12.75	11.25	10	1.31	9.44 Hub Bore, Vert. Ribbed, Notched
64037F	OBSOLETE - Use 64041F											
64038F	177	Q	O	0.50	15.00	12.38	10.15	12.75	11.25	10	1.31	9.44 Hub Bore, Vert. Ribbed, Notched
64039F	132	M	O	0.62	16.14	11.81	9.12	14.53	13.19	10	0.94	*See footer.
64040B	96	M	O	0.62	16.14	8.38	6.56	14.53	13.19	10	0.94	11.73 Hub Bore. *See footer.
64040F	OBSOLETE - Use 64040B											
64040Z	96	M	O	0.62	16.21	8.38	6.56	14.53	13.19	10	0.94	11.73 Hub Bore.
64041F	148	H	O	0.50	16.50	11.19	8.88	8.53	11.25	10	0.81	Use with 24.5 Disc Wheel Only
64043F	OBSOLETE - Use 64113B											
64044F	94	G	O	0.50	15.00	9.10	8.32	11.06	13.19	10	1.09	
64045B	139	H	O	0.50	16.50	11.44	8.50	8.78	11.25	10	0.81	Notched
64046B**	119	M	O	0.50	15.14	8.65	6.50	12.75	11.25	10	1.31	9.44 Hub Bore, Notched
64046F	OBSOLETE - Use 64046B											
64046H**	119	M	O	0.50	15.14	8.65	6.50	12.75	11.25	10	1.31	9.44 Hub Bore, Notched
64047B	139	H	O	0.50	16.50	11.44	8.50	8.53	11.25	10	0.81	Notched
64047F	139	H	O	0.50	16.50	11.44	8.50	8.53	11.25	10	0.81	Notched
64048B**	191	M	O	0.50	15.14	12.38	10.25	12.75	11.25	10	1.31	9.44 Hub Bore, Notched *See footer.
64048F	OBSOLETE - Use 64048B											
64049B	96	G	O	0.55	15.00	9.15	7.40	11.22	13.19	10	0.94	
64049F	OBSOLETE - Use 64049B											
64050B	172	K	O	0.59	16.50	11.56	9.44	11.11	13.19	10	1.09	*See footer.
64051B	171	K	O	0.59	16.50	11.56	9.44	11.25	13.19	10	1.09	*See footer.

Mount I=Inboard, O=Outboard

See Page 4 for Obsolete with No Replacement Brake Drums.

\*Available for purchase through the pallet program. See Page 6 for pallet part numbers.

\*\*Will become obsolete when current inventory is depleted. Call for availability - if purchased, parts are non-returnable.



### BRAKE DRUM NUMERICAL SECTION

Drum Number	Weight	Type	Mount	Backface Thickness	Brake Surface Diameter	Overall Depth	Brake Surface Flat	Pilot Diameter	Bolt Circle Diameter	Bolt Holes		Special Information
										No.	Size	
64051F	OBSOLETE - Use 64051B											
64051H	OBSOLETE - Use 64051J											
64051J	171	K	O	0.59	16.50	11.56	9.44	11.25	13.19	10	1.09	*See footer.
64053B	160	K	O	0.59	16.50	11.28	9.16	11.25	13.19	10	1.09	*See footer.
64053F	OBSOLETE - Use 64053B											
64054B	OBSOLETE - Use 64053B											
64057F	146	H	O	0.50	16.50	11.19	8.88	9.00	11.25	10	1.31	
64060B	OBSOLETE - Use 64040B											
64065F**	118	O	O	0.50	15.50	8.34	6.37	11.07	13.19	10	1.09	Obsolete - No replacement
64073B	136	H	O	0.50	14.50	11.79	8.50	12.75	11.25	10	1.31	9.44 Hub Bore
64073F	136	H	O	0.50	14.50	11.79	8.50	12.75	11.25	10	1.31	9.44 Hub Bore
64089B	133	M	O	0.62	16.14	11.81	9.12	14.41	13.19	5/10	0.94	11.73 Hub Bore. *See footer.
64089F	OBSOLETE - Use 64089B											
64089Z	133	M	O	0.62	16.21	11.81	9.12	14.41	13.19	10	0.94	11.73 Hub Bore.
64105F	83	N	I	0.50	15.00	8.50	6.50	9.75	11.25	5	0.66	
64112B	105	O	O	0.50	14.50	8.31	6.06	12.75	11.25	10	1.31	9.44 Hub Bore, Circum. Ribbed *See footer.
64112F	OBSOLETE - Use 64112B											
64113B	105	O	O	0.50	14.50	8.31	6.06	12.75	11.25	10	1.31	9.44 Hub Bore, Circum. Ribbed
64113F	OBSOLETE - Use 64113B											
64115B	170	O	O	0.50	14.50	12.81	10.50	12.75	11.25	10	1.31	9.44 Hub Bore, Circum. Ribbed. *See footer.
64115C	170	O	O	0.50	14.50	12.81	10.50	12.75	11.25	10	1.31	9.44 Hub Bore, Circum. Ribbed. *See footer.
64115F	OBSOLETE - Use 64115B											
64115J	170	O	O	0.50	14.50	12.81	10.50	12.75	11.25	10	1.31	9.44 Hub Bore, Circum. Ribbed. *See footer.
64117B	112	O	O	0.50	14.50	8.69	6.44	12.75	11.25	10	1.31	9.44 Hub Bore, Circum. Ribbed. *See footer.
64117F	OBSOLETE - Use 64117B											
64117J	112	O	O	0.50	14.50	8.69	6.44	12.75	11.25	10	1.31	9.44 Hub Bore, Circum. Ribbed. *See footer.
64118F	OBSOLETE - Use 64119B											
64119B	115	O	O	0.50	14.50	8.69	6.44	12.75	11.25	10	1.31	9.44 Hub Bore, Circum. Ribbed. *See footer.
64119F	OBSOLETE - Use 64119B											
64120F	OBSOLETE - Use 64119B											
64125B	166	F	O	0.56	16.50	12.35	9.86	8.78	11.25	10	1.00	*See footer.

Mount I=Inboard, O=Outboard

See Page 4 for Obsolete with No Replacement Brake Drums.

\*Available for purchase through the pallet program. See Page 6 for pallet part numbers.

\*\*Will become obsolete when current inventory is depleted. Call for availability - if purchased, parts are non-returnable.



## BRAKE DRUM NUMERICAL SECTION

Drum Number	Weight	Type	Mount	Backface Thickness	Brake Surface Diameter	Overall Depth	Brake Surface Flat	Pilot Diameter	Bolt Circle Diameter	Bolt Holes		Special Information
										No.	Size	
64125F**	166	F	O	0.56	16.50	12.35	9.86	8.78	11.25	10	1.00	Obsolete - No replacement
64126B	151	J	O	0.56	16.50	11.46	9.08	8.78	11.25	10	1.00	Extra Heavy Duty
64403F	77	K	I	0.44	15.00	8.00	5.56	6.51	8.75	6	0.81	
64404F	78	N	I	0.44	15.00	8.00	5.56	6.44	8.75	10	0.78	
64405F**	78	N	I	0.44	15.00	8.00	5.56	6.44	8.75	6	0.81	Obsolete - No replacement
64408F**	77	H	I	0.50	15.00	7.25	5.53	6.25	8.75	6	0.81	
64413F	52	A	I	0.38	15.00	4.42	3.88	9.00	10.50	5	0.66	
64414F	64	G	I	0.50	15.00	5.55	4.44	9.19	11.25	5/6	0.66	
64417F	66	G	I	0.53	15.00	5.38	4.50	9.25	11.25	5	0.78	
64425F	31	H	I	0.36	14.00	4.00	2.94	4.61	5.5&6	6/6	0.53	
64426F	58	H	I	0.38	15.00	6.41	4.44	6.25	8.75	6	0.81	
64430F	43	K	I	0.38	14.00	7.00	3.00	7.12	8.75	6	0.81	
64432F	75	K	I	0.44	15.00	8.00	5.56	6.51	8.75	10	0.78	
64444F	60	G	I	0.50	15.00	5.55	4.44	9.19	11.25	5/6	0.78	
64445F	65	K	O	0.38	15.00	8.25	3.75	9.50	11.25	10	0.81	
64449F	65	K	O	0.44	15.00	8.06	3.75	7.12	8.75	6	0.81	
64453F	44	N	I	0.44	15.00	4.69	3.50	6.44	8.00	5	0.66	
64454F	73	H	O	0.44	15.00	8.53	4.50	8.75	11.25	10	0.81	
64464F	OBSOLETE - Use 64414F											
64466F	85	H	I	0.44	16.50	8.00	6.38	9.38	11.25	10	0.81	
64467F	85	H	I	0.44	16.50	8.00	6.38	9.44	11.25	10	0.81	
64468F	84	H	I	0.44	16.50	7.87	6.25	9.44	11.25	10	0.81	
64477F	59	G	I	0.50	15.00	5.28	4.32	6.44	8.00	5	0.66	
64478F	59	N	I	0.50	15.00	5.28	4.25	9.50	11.25	6	0.78	
64481F	72	H	O	0.50	15.00	7.84	4.44	8.66	11.25	10	1.31	
64483F	75	H	O	0.50	15.00	7.84	4.44	9.44	11.25	10	0.81	
64489F	72	H	O	0.50	15.00	7.84	4.44	8.78	11.25	10	1.31	
65004B	OBSOLETE - Use 64004B											
65004F	OBSOLETE - Use 64004B											
65119F	OBSOLETE - Use 65119J											
65119J	112	O	O	0.50	14.50	8.69	6.44	12.75	11.25	10	1.31	9.44 Hub Bore, Circum. Ribbed. *See footer.
65145B	110	F	O	0.62	15.00	9.49	6.18	8.78	11.25	10	1.00	
65147B	108	F	O	0.62	15.00	9.49	6.18	9.00	11.25	10	1.31	
65150B	OBSOLETE - Use 65157B											
65151B	92	K	O	0.50	16.50	9.37	5.45	8.78	11.25	10	1.31	
65152B	120	H	O	0.62	16.50	9.75	6.50	8.78	11.25	10	1.31	*See footer.
65153B	82	K	O	0.50	15.00	9.31	5.40	8.78	11.25	10	1.00	
65154B	82	K	O	0.50	15.00	9.31	5.40	8.78	11.25	10	1.31	
65157B	111	H	O	0.62	15.00	9.81	6.50	9.00	11.25	10	1.31	

Mount I=Inboard, O=Outboard

See Page 4 for Obsolete with No Replacement Brake Drums.

\*Available for purchase through the pallet program. See Page 6 for pallet part numbers.

\*\*Will become obsolete when current inventory is depleted. Call for availability - if purchased, parts are non-returnable.



## BRAKE DRUM NUMERICAL SECTION

Drum Number	Weight	Type	Mount	Backface Thickness	Brake Surface Diameter	Overall Depth	Brake Surface Flat	Pilot Diameter	Bolt Circle Diameter	Bolt Holes		Special Information
										No.	Size	
65158B	92	K	O	0.50	16.50	9.37	5.45	8.78	11.25	10	1.00	
65161B*	114	H	O	0.62	16.50	9.38	6.38	8.78	11.25	10	1.31	
65162B	121	H	O	0.62	16.50	9.75	6.50	8.78	11.25	10	1.00	
65162F	121	H	O	0.62	16.50	9.75	6.50	8.78	11.25	10	1.00	
65163B	117	H	O	0.62	16.50	9.52	6.27	8.78	11.25	10	1.00	
65163F	117	H	O	0.62	16.50	9.52	6.27	8.78	11.25	10	1.00	
65165B**	116	H	O	0.62	16.50	9.38	6.38	8.74	11.25	10	1.31	Obsolete - No Replacement
65166B	121	H	O	0.62	16.50	9.75	6.50	8.53	11.25	10	1.31	
65167B	119	H	O	0.62	16.50	9.75	6.50	9.00	11.25	10	1.31	
65169B	115	K	O	0.62	16.50	9.88	6.62	9.00	11.25	10	1.31	Notched *See footer
65170B	116	K	O	0.62	16.50	9.88	6.62	8.78	11.25	10	1.00	Notched
65172B	108	K	O	0.50	16.50	9.84	6.38	8.78	11.25	10	1.31	
65173B	114	H	O	0.62	16.50	9.25	6.25	8.66	11.25	10	1.00	
65174B	106	K	O	0.50	16.50	9.63	5.75	8.75	11.25	10	0.81	
65175B	102	K	O	0.62	16.50	9.38	5.68	9.00	11.25	10	1.31	Notched
65175F	102	K	O	0.62	16.50	9.38	5.68	9.00	11.25	10	1.31	Notched
65176B	118	K	O	0.50	16.50	10.13	6.87	8.78	11.25	10	1.00	Notched
65176F	118	K	O	0.50	16.50	10.13	6.87	8.78	11.25	10	1.00	Notched
65177B	110	K	O	0.50	16.50	9.63	5.93	8.78	11.25	10	1.00	Notched
65179B	109	K	O	0.50	16.50	9.84	6.38	8.78	11.25	10	1.00	
65181B**	116	H	O	0.62	16.50	9.52	6.27	8.78	11.25	10	1.31	Obsolete - No Replacement
65182B**	116	H	O	0.62	16.50	9.52	6.27	8.78	11.25	10	1.31	Obsolete - No Replacement
65183B**	117	H	O	0.62	16.50	9.52	6.27	8.78	11.25	10	1.00	Obsolete - No Replacement
65256B	91	G	I	0.50	15.00	7.44	6.38	11.25	12.75	6	0.78	
65257B	OBSOLETE - Use 65256B											
65266B	104	A	I	0.50	16.50	7.44	6.38	11.25	12.75	6	0.78	
65514B	68	G	I	0.50	15.00	5.84	4.50	9.25	11.25	5/6	0.78	
65516B	78	A	I	0.50	16.50	6.12	5.41	9.25	11.25	5/6	0.78	
65526B	81	A	I	0.50	16.50	6.30	5.59	9.25	11.25	5/6	0.78	Notched
65541B	80	H	O	0.62	15.00	8.76	4.50	9.00	11.25	10	1.31	
65542B	81	H	O	0.62	15.00	8.76	4.50	9.00	11.25	10	0.81	
65543B	80	H	O	0.50	15.00	9.04	4.75	9.00	10.83	8	1.00	
65545B	68	H	O	0.50	15.00	9.04	4.50	8.78	11.25	10	1.00	*See footer.
65546B	77	H	O	0.50	15.00	8.98	4.75	8.75	11.25	10	0.81	
65547B	82	H	O	0.62	15.00	8.76	4.50	8.78	11.25	10	1.31	*See footer.
65548B	78	H	O	0.50	15.00	9.04	4.50	8.78	11.25	10	1.31	*See footer.
65549B	81	H	O	0.50	15.00	9.04	4.50	9.00	11.25	10	1.31	
65550B	85	H	O	0.50	15.00	9.10	5.50	8.53	11.25	10	1.31	
65551B	81	H	O	0.50	15.00	9.10	5.50	9.00	11.25	10	1.31	

Mount I=Inboard, O=Outboard

See Page 4 for Obsolete with No Replacement Brake Drums.

\*Available for purchase through the pallet program. See Page 6 for pallet part numbers.

\*\*Will become obsolete when current inventory is depleted. Call for availability - if purchased, parts are non-returnable.



## BRAKE DRUM NUMERICAL SECTION

Drum Number	Weight	Type	Mount	Backface Thickness	Brake Surface Diameter	Overall Depth	Brake Surface Flat	Pilot Diameter	Bolt Circle Diameter	Bolt Holes		Special Information
										No.	Size	
65554B	83	H	O	0.50	15.00	9.10	5.50	8.78	11.25	10	1.31	
65555B	81	M	O	0.50	15.00	9.04	4.50	8.78	11.25	10	1.00	
65565B	80	H	O	0.50	15.00	9.04	4.50	8.78	11.25	10	1.00	
65600B	116	K	O	0.50	16.50	9.52	6.38	8.78	11.25	10	1.31	*See footer.
65600C	116	K	O	0.50	16.50	9.52	6.38	8.78	11.25	10	1.31	*See footer.
65604B**	111	K	O	0.50	16.50	9.52	6.38	8.78	11.25	10	1.31	
65607B	117	K	O	0.50	16.50	9.52	6.38	8.78	11.25	10	1.00	
65609B	113	K	O	0.50	16.50	9.59	6.56	8.78	11.25	10	1.00	
65650B	90	H	O	0.62	16.50	9.22	5.50	8.53	11.25	10	1.31	
65651B	90	H	O	0.62	16.50	9.22	5.50	9.00	11.25	10	1.31	
65654B	89	H	O	0.62	16.50	9.22	5.50	8.78	11.25	10	1.00	
65659B	85	K	O	0.50	16.50	9.14	5.45	8.78	11.25	10	1.00	
65670B	115	K	O	0.50	16.50	10.82	7.50	8.78	11.25	10	1.00	Oil Groove. *See footer.
65710B	96	K	O	0.50	16.50	9.04	5.95	8.78	11.25	10	1.31	*See footer.
65735F	75	K	O	0.44	15.00	8.02	5.50	6.25	8.75	6	0.81	
65739B	95	K	O	0.50	16.50	8.84	5.75	8.53	11.25	10	1.31	
65753B	88	H	O	0.44	15.75	8.56	6.04	8.53	11.25	10	0.81	
65757B	85	F	O	0.44	15.75	8.36	5.84	8.78	11.25	10	0.81	
66096F	100	H	I	0.50	16.50	9.06	6.94	9.44	11.25	10	0.81	
66250B	116	K	O	0.50	16.50	10.59	7.38	11.25	13.19	10	1.00	
66250F	116	K	O	0.50	16.50	10.59	7.38	11.25	13.19	10	1.00	
66251F	111	K	O	0.50	16.50	10.59	7.38	11.25	13.19	10	1.00	
66253B	OBSOLETE - Use 66251B											
66283F	112	G	O	0.88	16.50	9.50	7.50	11.05	13.19	10	1.03	**See footer
66350F	94	K	O	0.50	16.50	9.15	5.94	11.25	13.19	10	1.00	
66353B	110	K	O	0.50	16.50	11.18	7.44	8.78	11.25	10	1.00	*See footer.
66353F	112	K	O	0.50	16.50	11.18	7.44	8.78	11.25	10	1.00	*See footer.
66364B	106	K	O	0.50	16.50	9.44	6.55	11.25	13.19	10	1.00	*See footer.
66366B	105	K	O	0.50	16.50	9.65	6.62	11.25	13.19	10	1.00	*See footer.
66366F	OBSOLETE - Use 66366B											
66374B	108	K	O	0.50	16.50	9.65	6.62	11.25	13.19	10	1.00	*See footer.
66518F	OBSOLETE - Use 67518F											
66537F	OBSOLETE - Use 67537F											
66626B	113	K	O	0.50	16.50	10.31	7.56	11.06	13.19	10	1.09	
66626F	OBSOLETE - Use 66626B											
66660B	137	K	O	0.62	16.50	10.37	7.38	8.78	11.25	10	1.19	
66661B	136	K	O	0.50	16.50	10.37	7.46	8.78	11.25	10	1.00	For severe service.
66663B	128	K	O	0.50	16.50	10.25	7.38	11.25	13.19	10	1.00	
66665B	147	K	O	0.50	18.00	10.37	7.38	8.78	11.25	10	1.00	
66668F	125	H	O	0.62	16.50	10.37	7.38	8.78	11.25	10	1.19	
66669B	118	K	O	0.56	16.54	10.15	7.25	11.10	13.19	10	1.19	

Mount I=Inboard, O=Outboard

See Page 4 for Obsolete with No Replacement Brake Drums.

\*Available for purchase through the pallet program. See Page 6 for pallet part numbers.

\*\*Will become obsolete when current inventory is depleted. Call for availability - if purchased, parts are non-returnable.



## BRAKE DRUM NUMERICAL SECTION

Drum Number	Weight	Type	Mount	Backface Thickness	Brake Surface Diameter	Overall Depth	Brake Surface Flat	Pilot Diameter	Bolt Circle Diameter	Bolt Holes		Special Information
										No.	Size	
66800B	119	K	O	0.56	16.50	11.10	8.61	8.78	11.25	10	1.00	*See footer.
66800F	119	K	O	0.56	16.50	11.10	8.61	8.78	11.25	10	1.00	*See footer.
66801B**	107	K	O	0.50	16.50	10.38	7.38	8.66	11.25	10	1.50	
66807B*	111	H	O	0.50	16.50	10.62	7.62	8.78	11.25	10	1.00	With windows
66808B*	119	H	O	0.56	16.50	11.10	8.71	8.78	11.25	10	1.00	With windows
66809B*	120	H	O	0.56	16.50	11.39	9.00	8.78	11.25	10	1.00	With windows
66811F	130	K	O	0.50	16.50	12.12	9.36	8.53	11.25	10	0.81	
66812B	160	K	O	0.50	16.50	13.38	10.89	8.53	11.25	10	0.81	Notched
66812F	160	K	O	0.50	16.50	13.38	10.89	8.53	11.25	10	0.81	Notched
66814B	132	K	O	0.50	16.50	12.39	9.63	8.78	11.25	10	1.00	
66814F	132	K	O	0.50	16.50	12.39	9.63	8.78	11.25	10	1.00	
66815F	133	K	O	0.50	16.50	12.39	9.63	8.53	11.25	10	0.81	
66816F	136	K	O	0.50	16.50	12.39	9.63	9.00	10.83	8	1.00	
66817F	130	K	O	0.56	16.50	12.28	9.52	9.44	11.25	10	0.94	
66822F	158	K	O	0.50	16.50	13.38	10.89	9.00	11.25	10	1.31	Notched
66826B	116	K	O	0.50	16.50	10.19	7.38	8.78	11.25	10	1.00	Oil Groove
66826F	OBSOLETE - Use 66826B											
66827B	130	K	O	1.00	16.50	11.46	8.86	8.78	11.25	10	1.00	Special Back-plate Thickness w/Oil Groove
66830B	81	K	O	0.50	15.00	8.79	6.56	9.00	10.83	8	1.00	
66834B	129	K	O	0.50	16.50	11.99	9.23	8.78	11.25	10	1.00	
66843B	121	K	O	0.50	16.50	10.62	7.62	8.78	11.25	10	1.00	Oil Groove
66850B	98	K	O	0.50	16.55	10.00	7.50	8.78	11.25	10	1.00	
66852B	115	K	O	0.50	16.50	10.25	7.38	8.53	11.25	10	0.81	
66852F	115	K	O	0.50	16.50	10.25	7.38	8.53	11.25	10	0.81	
66853B	119	K	O	0.50	16.50	10.62	7.62	8.53	11.25	10	0.81	
66854B	120	K	O	0.56	16.50	11.46	9.12	8.78	11.25	10	1.00	Oil Groove. *See footer.
66854F	121	K	O	0.56	16.50	11.46	9.12	8.78	11.25	10	1.00	*See footer.
66855B	121	K	O	0.56	16.50	11.46	9.08	8.78	11.25	10	1.00	*See footer.
66857F	106	K	O	0.50	16.50	10.25	7.25	9.38	11.25	10	0.81	
66862B	108	K	O	0.50	16.50	10.25	7.44	8.53	11.25	10	1.31	
66862F	108	K	O	0.50	16.50	10.25	7.44	8.53	11.25	10	1.31	
66864B20	108	K	O	0.50	16.50	10.54	7.54	8.78	11.25	10	1.00	*See footer. Use 66884B for heavy duty applications.
66864F20	109	K	O	0.50	16.50	10.54	7.54	8.78	11.25	10	1.00	*See footer. Use 66884F for heavy duty applications.
66865B	108	K	O	0.50	16.50	10.31	7.50	9.00	11.25	10	0.81	
66866B	171	K	O	0.50	16.50	13.38	10.54	8.78	11.25	10	1.00	
66867B	106	K	O	0.50	16.50	10.35	7.54	8.78	11.25	10	1.00	Notched

Mount I=Inboard, O=Outboard

See Page 4 for Obsolete with No Replacement Brake Drums.

\*Available for purchase through the pallet program. See Page 6 for pallet part numbers.

\*\*Will become obsolete when current inventory is depleted. Call for availability - if purchased, parts are non-returnable.



## BRAKE DRUM NUMERICAL SECTION

Drum Number	Weight	Type	Mount	Backface Thickness	Brake Surface Diameter	Overall Depth	Brake Surface Flat	Pilot Diameter	Bolt Circle Diameter	Bolt Holes		Special Information
										No.	Size	
66871B	169	K	O	0.50	16.50	13.19	10.50	8.78	11.25	10	1.00	
66871F	OBSOLETE - Use 66871B											
66873B	108	K	O	0.50	16.50	10.30	7.30	8.78	11.25	10	1.00	
66873F	110	K	O	0.50	16.50	10.30	7.30	8.78	11.25	10	1.00	*See footer.
66874B	OBSOLETE - Use 66864B											
66875B	110	K	O	0.50	16.50	10.62	7.81	9.00	10.83	8	1.00	
66875F	111	K	O	0.50	16.50	10.62	7.81	9.00	10.83	8	1.00	*See footer.
66878B	104	K	O	0.50	16.50	10.25	7.38	9.00	10.83	8	1.00	
66878F	104	K	O	0.50	16.50	10.25	7.38	9.00	10.83	8	1.00	
66880B	OBSOLETE - Use 66892B											
66883B	107	K	O	0.50	16.50	10.35	7.54	8.53	11.25	10	0.81	Notched
66883F	107	K	O	0.50	16.50	10.35	7.54	8.53	11.25	10	0.81	Notched
66884B	117	K	O	0.50	16.50	10.62	7.62	8.78	11.25	10	1.00	*See footer. Use 66661B for severe service.
66884F	119	K	O	0.50	16.50	10.62	7.62	8.78	11.25	10	1.00	*See footer. Use 66661B for severe service.
66886B	124	M	O	0.50	16.50	10.19	7.38	12.75	11.25	10	0.81	9.44 Hub Bore
66888F	110	K	O	0.50	16.50	10.62	7.81	9.00	11.25	10	1.31	
66889F	OBSOLETE - Use 66893F											
66890B**	111	K	O	0.50	16.50	10.62	7.62	8.74	11.25	10	0.81	Obsolete - No Replacement
66892B	106	K	O	0.50	16.50	10.25	7.38	8.53	11.25	10	0.81	
66892F	106	K	O	0.50	16.50	10.25	7.38	8.53	11.25	10	0.81	
66893B	113	K	O	0.50	16.50	10.62	7.62	8.53	11.25	10	0.81	
66893F	114	K	O	0.50	16.50	10.62	7.62	8.53	11.25	10	0.81	*See footer.
66895B	110	K	O	0.50	16.50	10.62	7.81	9.00	11.25	10	0.81	*See footer.
66896F	111	K	O	0.50	16.50	10.38	7.38	8.66	11.25	10	0.81	
66899B	123	M	O	0.50	16.50	10.19	7.38	12.75	11.25	10	1.31	9.44 Hub Bore
67101B	OBSOLETE - Use 66893B											
67156B	OBSOLETE - Use 61574F											
67205F	135	H	I	0.50	16.50	11.94	10.34	9.44	11.25	10	0.94	
67407B	OBSOLETE - Use 62200F											
67415B	OBSOLETE - Use 68730F											
67434B	OBSOLETE - Use 66814F											
67486B	OBSOLETE - Use 66814F											
67515F	OBSOLETE - Use 67518F											
67518B	98	G	I	0.50	16.50	8.38	7.38	9.44	11.00	5	0.78	
										6	0.66	
67518F	100	G	I	0.50	16.50	8.38	7.38	9.44	11.00	5	0.78	*See footer.
										6	0.66	
67537F	100	G	I	0.50	16.50	8.38	7.38	9.44	11.25	10	0.81	
67598F	OBSOLETE - Use 67518F											

Mount I=Inboard, O=Outboard

See Page 4 for Obsolete with No Replacement Brake Drums.

\*Available for purchase through the pallet program. See Page 6 for pallet part numbers.

\*\*Will become obsolete when current inventory is depleted. Call for availability - if purchased, parts are non-returnable.





## BRAKE DRUM NUMERICAL SECTION

Drum Number	Weight	Type	Mount	Backface Thickness	Brake Surface Diameter	Overall Depth	Brake Surface Flat	Pilot Diameter	Bolt Circle Diameter	Bolt Holes		Special Information
										No.	Size	
67615B	OBSOLETE - Use 66815B											
67945B	OBSOLETE - Use 65550B											
68012F	112	H	I	0.56	16.50	9.00	7.62	9.50	11.25	5/6	0.78	Notched
68013F	112	H	I	0.56	16.50	9.00	7.62	9.50	11.25	10	0.81	Notched
68036F**	104	H	I	0.50	16.50	8.78	6.72	9.75	11.25	5	0.66	Notched
68114B	OBSOLETE - Use 65541B											
68530F	OBSOLETE - Use 68730F											
68565F	OBSOLETE - Use 68765F											
68647F	OBSOLETE - Use 63647F											
68730B	101	G	I	0.52	16.50	8.75	7.44	9.50	11.25	10	0.81	
68730F	103	G	I	0.52	16.50	8.75	7.44	9.50	11.25	10	0.81	*See footer.
68731F	101	G	I	0.50	16.50	8.75	7.31	9.00	11.25	10	0.81	
68732F	103	G	I	0.52	16.50	8.75	7.44	9.50	11.25	5/6	0.81	
68733F	103	G	I	0.50	16.50	8.75	7.31	9.00	11.25	10	1.06	
68734F	103	G	I	0.52	16.50	8.75	7.44	9.50	11.25	10	1.00	
68760F	103	G	I	0.52	16.50	8.75	7.44	9.44	11.00	5	0.78	
68765B	101	G	I	0.52	16.50	8.75	7.44	9.50	11.25	5	0.81	
										6	0.66	
68765F	101	G	I	0.52	16.50	8.75	7.44	9.50	11.25	5	0.81	
										6	0.66	
68797B	OBSOLETE - Use 66875B											
68844F	89	K	O	0.62	16.50	8.10	5.48	8.69	11.25	10	1.09	
68845F	88	K	O	0.62	16.50	8.10	5.48	8.78	11.25	10	1.31	
68846B	89	K	O	0.62	16.50	8.10	5.48	8.78	11.25	10	1.00	
68848F	90	K	O	0.62	16.50	8.10	5.48	8.66	11.25	10	0.81	
68872B	OBSOLETE - Use 65543B											
68882F	93	F	I	0.50	16.50	8.19	7.19	14.25	12.75	5/6	0.66	11.25 Hub Bore
68887B**	78	F	I	0.50	16.50	7.22	6.25	14.25	12.75	5	0.78	11.25 Hub Bore
										6	0.66	
68891F	124	H	I	0.50	16.50	11.25	8.94	9.44	11.25	10	0.84	
68897B	104	A	I	0.41	16.50	8.00	7.28	11.00	12.75	5/6	0.66	
68897F	105	A	I	0.41	16.50	8.00	7.28	11.00	12.75	5/6	0.66	*See footer.
68899F	OBSOLETE - Use 61730F											
68903F	107	H	I	0.50	16.50	9.00	7.50	11.25	12.75	5	0.78	
										6	0.66	
68908F	OBSOLETE - Use 61727F											
68918F	109	H	I	0.50	16.50	8.92	7.40	9.38	11.25	10	0.81	
68921F	108	H	I	0.50	16.50	8.81	7.45	9.44	11.25	10	0.81	
68927F	120	G	I	0.50	16.50	10.19	9.00	9.50	11.25	10	0.81	
68931F	128	G	I	0.50	16.50	10.19	9.00	9.50	11.25	5	0.78	
										6	0.66	
68934F	OBSOLETE - Use 66899B											

Mount I=Inboard, O=Outboard

See Page 4 for Obsolete with No Replacement Brake Drums.

\*Available for purchase through the pallet program. See Page 6 for pallet part numbers.

\*\*Will become obsolete when current inventory is depleted. Call for availability - if purchased, parts are non-returnable.



## BRAKE DRUM NUMERICAL SECTION

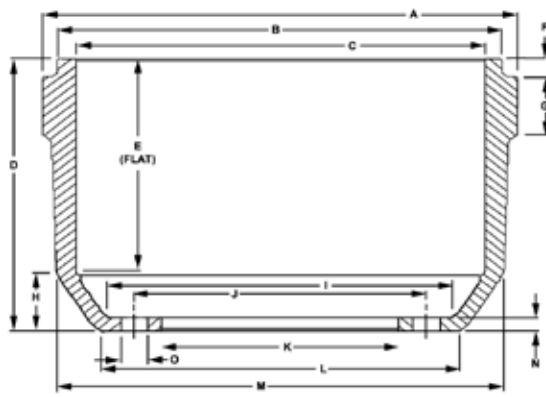
Drum Number	Weight	Type	Mount	Backface Thickness	Brake Surface Diameter	Overall Depth	Brake Surface Flat	Pilot Diameter	Bolt Circle Diameter	Bolt Holes		Special Information
										No.	Size	
68940F**	78	F	I	0.50	16.50	7.22	6.25	14.25	12.75	5/6	0.66	11.25 Hub Bore Shoulder for Clipped Head Stud
68942F	93	F	I	0.50	16.50	8.19	7.19	14.25	12.75	5/6	0.66	11.25 Hub Bore Shoulder for Clipped Head Stud
68946F	122	G	I	0.50	16.50	10.00	9.00	9.44	11.00	5	0.78	
										6	0.66	
68958B	93	F	I	0.50	16.50	8.19	7.19	14.25	12.75	5	0.78	11.25 Hub Bore
										6	.066	
68958F	93	F	I	0.50	16.50	8.19	7.19	14.25	12.75	5	0.78	11.25 Hub Bore
										6	0.66	
68967F	OBSOLETE - Use 61727F											
68970B**	82	A	I	0.50	16.50	6.88	6.10	11.25	12.75	5	0.66	
										6	0.78	
68981B	100	G	I	0.50	16.50	8.44	7.37	11.25	12.75	5/6	0.78	*See footer.
68984F	OBSOLETE - Use 68981B											
68985F	85	H	O	0.50	16.50	8.56	5.44	8.78	11.25	10	1.00	
68986B	102	G	I	0.53	16.50	8.53	7.44	11.42	13.19	6	0.66	
68988F	84	H	O	0.50	16.50	8.56	5.44	8.66	11.25	10	1.31	
68989F	84	H	O	0.50	16.50	8.56	5.44	8.78	11.25	10	1.31	
69378B	OBSOLETE - Use 65167B											
69870B	OBSOLETE - Use 61528B											
69996B	OBSOLETE - Use 66864F											
76864B**	102	V	O	0.50	16.50	10.54	7.54	8.78	11.25	10	1.00	*See footer.
77528B	64	V	O	0.50	15.00	8.89	4.70	8.78	11.25	10	1.31	Vortex Unlimited
77710B	OBSOLETE - Use 77805BW											
77800BW	117	V	O	0.56	16.50	11.15	8.66	8.78	11.25	10	1.00	Vortex Unlimited
77805BW	93	V	O	0.50	16.50	9.37	5.70	8.78	11.25	10	1.31	Vortex CRT
77807BW	108	V	O	0.48	16.50	10.54	7.54	8.78	11.25	10	1.00	Vortex CRT
77808BW	118	V	O	0.56	16.50	11.15	8.66	8.78	11.25	10	1.00	Vortex CRT
77809BW	120	V	O	0.56	16.50	11.46	9.05	8.78	11.25	10	1.00	Vortex CRT
77854BW	122	V	O	0.56	16.50	11.46	9.05	8.78	11.25	10	1.00	Vortex Unlimited
77864BW	109	V	O	0.48	16.50	10.54	7.54	8.78	11.25	10	1.00	Vortex Unlimited
95151B	76	K	O	.25	16.50	9.22	5.82	8.78	11.25	10	1.00	Steel Shell
95548B	64	K	O	.25	15.00	8.54	4.58	8.78	11.25	10	1.00	Steel Shell
95710B	75	K	O	.25	16.50	8.88	5.46	8.78	11.25	10	1.00	Steel Shell
96800B	93	K	O	.25	16.50	10.91	8.55	8.78	11.25	10	1.00	Steel Shell
96864B	89	K	O	.25	16.50	10.41	7.64	8.78	11.25	10	1.00	Steel Shell
96875B	89	K	O	.25	16.50	10.41	7.64	9.00	10.83	8	1.00	Steel Shell
96893B	89	K	O	.25	16.50	10.41	7.64	8.53	11.25	10	1.00	Steel Shell
96854B	100	K	O	.25	16.50	11.21	9.10	8.78	11.25	10	1.00	Steel Shell

Mount I=Inboard, O=Outboard

See Page 4 for Obsolete with No Replacement Brake Drums.

\*Available for purchase through the pallet program. See Page 6 for pallet part numbers.

\*\*Will become obsolete when current inventory is depleted. Call for availability - if purchased, parts are non-returnable.



- A. Overall Diameter of Drum
- B. Dust Shield Recess Diameter, if applicable
- C. Brake Surface Diameter
- D. Overall Depth
- E. Brake Surface Flat
- F. Depth of Dust Shield Recess
- G. Squeeler Band Thickness
- H. Distance from Outside of Backface to Start of Taper
- I. Inside Finished Diameter
- J. Bolt Circle Diameter
- K. Pilot Diameter
- L. Outside Finished Diameter
- M. Diameter at Taper
- N. Backplate Thickness
- O. Bolt Holes: Number and Size

### BRAKE DRUM PROGRESSIVE SECTION

Brake Surface Diameter	Overall Depth	Brake Surface Flat	Pilot Diameter	Bolt Circle Diameter	Bolt Holes		Drum Number	Weight	Type	Mount	Backface Thickness	Special Information
					No.	Size						
<b>12.25 BRAKE SURFACE DIAMETER</b>												
12.25	7.44	6.31	8.50	10.00	6	0.66	62358F	54	A	I	0.44	
12.25	8.59	6.25	7.12	8.75	10	0.81	63630F	71	H	I	0.50	
12.25	8.59	6.25	7.12	8.75	6	0.81	63634F	71	H	I	0.50	
12.25	8.63	7.91	7.12	8.75	6	0.81	63654F	74	A	I	0.56	
12.25	8.63	7.91	7.12	8.75	10	0.81	63658F	74	A	I	0.56	
12.25	9.06	7.81	7.00	8.25	6	0.53	63637F	78	G	I	0.44	
					6	0.66						
12.25	9.07	8.00	8.50	10.00	6	0.66	63617F	73	A	I	0.44	
12.25	9.07	8.00	8.50	10.00	6	0.66	63647F	78	A	I	0.44	
12.25	9.12	8.40	7.25	8.75	6	0.81	63650F	79	A	I	0.56	
12.25	10.16	7.81	7.12	8.75	10	0.81	63688F	74	H	I	0.50	
12.25	10.47	8.12	7.12	8.75	10	0.81	63631F	78	H	I	0.50	
12.25	10.47	8.12	7.12	8.75	6	0.81	63635F	78	H	I	0.50	
12.25	11.22	9.95	9.00	10.83	8	1.00	63680F	93	A	O	0.50	*See footer.
<b>14.00 BRAKE SURFACE DIAMETER</b>												
14.00	4.00	2.94	4.61	5.5&6	6/6	0.53	64425F	31	H	I	0.36	
14.00	7.00	3.00	7.12	8.75	6	0.81	64430F	43	K	I	0.38	
<b>14.46 BRAKE SURFACE DIAMETER</b>												
14.46	8.69	6.44	12.75	11.25	10	1.31	64119B	112	O	O	0.50	9.44 Hub Bore. Circum. Ribbed. *See footer.
<b>14.50 BRAKE SURFACE DIAMETER</b>												
14.50	8.00	5.19	12.75	11.25	10	1.31	64004B	88	Q	O	0.50	9.44 Hub Bore. Vert. Ribbed. *See footer.
14.50	8.31	6.06	12.75	11.25	10	1.31	64112B	105	O	O	0.50	9.44 Hub Bore. Circum. Ribbed. *See footer.
14.50	8.31	6.06	12.75	11.25	10	1.31	64113B	105	O	O	0.50	9.44 Hub Bore. Circum. Ribbed
14.50	8.69	6.44	12.75	11.25	10	1.31	64017F**	125	M	O	0.50	9.44 Hub Bore.

Mount I=Inboard, O=Outboard

See Page 4 for Obsolete with No Replacement Brake Drums.

\*Available for purchase through the pallet program. See Page 6 for pallet part numbers.

\*\*Will become obsolete when current inventory is depleted. Call for availability - if purchased, parts are non-returnable.



## BRAKE DRUM PROGRESSIVE SECTION

Brake Surface Diameter	Overall Depth	Brake Surface Flat	Pilot Diameter	Bolt Circle Diameter	Bolt Holes		Drum Number	Weight	Type	Mount	Backface Thickness	Special Information
					No.	Size						
<b>14.50 BRAKE SURFACE DIAMETER</b>												
14.50	8.69	6.44	12.75	11.25	10	1.31	64117B	110	O	O	0.50	9.44 Hub Bore. Circum. Ribbed. *See footer.
14.50	8.69	6.44	12.75	11.25	10	1.31	64117J	110	O	O	0.50	9.44 Hub Bore. Circum. Ribbed. *See footer.
14.50	8.69	6.44	12.75	11.25	10	1.31	65119J	112	O	O	0.50	9.44 Hub Bore. Circum. Ribbed. *See footer.
14.50	11.50	8.31	13.00	11.25	10	1.31	64009B	145	Q	O	0.50	9.44 Hub Bore. Vert. Ribbed.
14.50	11.79	8.50	12.75	11.25	10	1.31	64073B	136	H	O	0.50	9.44 Hub Bore.
14.50	11.79	8.50	12.75	11.25	10	1.31	64073F	136	H	O	0.50	9.44 Hub Bore.
14.50	12.81	10.50	12.75	11.25	10	1.31	64015B	172	M	O	0.50	9.44 Hub Bore. *See footer.
14.50	12.81	10.50	12.75	11.25	10	1.31	64115B	170	O	O	0.50	9.44 Hub Bore. Circum. Ribbed. *See footer.
14.50	12.81	10.50	12.75	11.25	10	1.31	64115C	170	O	O	0.50	9.44 Hub Bore. Circum. Ribbed. *See footer.
14.50	12.81	10.50	12.75	11.25	10	1.31	64115J	170	O	O	0.50	9.44 Hub Bore. Circum. Ribbed. *See footer.
<b>15.00 BRAKE SURFACE DIAMETER</b>												
15.00	3.94	3.45	10.00	11.25	5	0.53	64016F	37	A	I	0.41	
15.00	4.14	3.45	10.00	11.00	5	0.53	64018F	38	A	I	0.41	
15.00	4.42	3.88	9.00	10.50	5	0.66	64413F	52	A	I	0.38	
15.00	4.69	3.50	6.44	8.00	5	0.66	64453F	44	N	I	0.44	
15.00	5.28	4.25	9.50	11.25	6	0.78	64478F	59	N	I	0.50	
15.00	5.28	4.32	6.44	8.00	5	0.66	64477F	59	G	I	0.50	
15.00	5.38	4.50	9.25	11.25	5	0.78	64417F	66	G	I	0.53	
15.00	5.55	4.44	9.19	11.25	5/6	0.66	64414F	64	G	I	0.50	
15.00	5.55	4.44	9.19	11.25	5/6	0.78	64444F	60	G	I	0.50	
15.00	5.84	4.50	9.25	11.25	5/6	0.78	65514B	68	G	I	0.50	
15.00	5.88	4.94	10.00	12.75	5/6	0.78	63294F	62	G	I	0.50	
15.00	6.41	4.44	6.25	8.75	6	0.81	64426F	58	H	I	0.38	
15.00	7.00	5.36	9.37	11.25	10	0.81	61526F**	69	K	I	0.44	
15.00	7.06	6.38	9.44	11.00	5/6	0.66	61566F	70	A	I	0.50	
15.00	7.25	5.53	6.25	8.75	6	0.81	64408F**	77	H	I	0.50	
15.00	7.38	6.50	11.25	12.75	5/6	0.66	61601F	82	A	I	0.50	
15.00	7.44	6.38	11.25	12.75	6	0.78	65256B	91	G	I	0.50	
15.00	7.56	5.50	9.50	11.25	10	0.81	61554F	67	G	I	0.50	
15.00	7.84	4.44	8.66	11.25	10	1.31	64481F	72	H	O	0.50	
15.00	7.84	4.44	8.78	11.25	10	1.31	64489F	72	H	O	0.50	
15.00	7.84	4.44	9.44	11.25	10	0.81	64483F	75	H	O	0.50	

Mount I=Inboard, O=Outboard

See Page 4 for Obsolete with No Replacement Brake Drums.

\*Available for purchase through the pallet program. See Page 6 for pallet part numbers.

\*\*Will become obsolete when current inventory is depleted. Call for availability - if purchased, parts are non-returnable.



### BRAKE DRUM PROGRESSIVE SECTION

Brake Surface Diameter	Overall Depth	Brake Surface Flat	Pilot Diameter	Bolt Circle Diameter	Bolt Holes		Drum Number	Weight	Type	Mount	Backface Thickness	Special Information
					No.	Size						
<b>15.00 BRAKE SURFACE DIAMETER</b>												
15.00	7.94	6.69	14.25	12.75	5	0.66	64028F	73	P	I	0.50	11.25 Hub Bore.
15.00	8.00	5.56	6.44	8.75	10	0.78	64404F	78	N	I	0.44	
15.00	8.00	5.56	6.44	8.75	6	0.81	64405F	78	N	I	0.44	
15.00	8.00	5.56	6.51	8.75	6	0.81	64403F	77	K	I	0.44	
15.00	8.00	5.56	6.51	8.75	10	0.78	64432F	75	K	I	0.44	
15.00	8.02	4.32	9.00	11.25	10	1.31	61511F	73	K	O	0.50	
15.00	8.02	5.50	6.25	8.75	6	0.81	65735F	75	K	O	0.44	
15.00	8.06	3.75	7.12	8.75	6	0.81	64449F	65	K	O	0.44	
15.00	8.12	7.32	9.50	11.25	5/6	0.78	61595F**	88	G	I	0.50	
15.00	8.16	6.97	11.00	12.50	5/6	0.66	61612F**	84	G	I	0.50	
15.00	8.25	3.75	9.50	11.25	10	0.81	64445F	65	K	O	0.38	
15.00	8.38	7.19	11.00	12.50	5/6	0.66	61599F**	87	G	I	0.50	
15.00	8.38	7.19	11.25	12.75	5/6	0.78	61600B**	86	G	I	0.50	
15.00	8.50	6.50	9.75	11.25	5	0.66	64105F	83	N	I	0.50	
15.00	8.50	7.50	10.50	12.75	5/6	0.78	63035F	96	H	I	0.56	
15.00	8.53	4.50	8.75	11.25	10	0.81	64454F	73	H	O	0.44	
15.00	8.54	6.41	6.25	8.75	6	0.84	61536F	80	K	I	0.50	
15.00	8.54	4.58	8.78	11.25	10	1.00	95548B	64	K	O	0.25	Steel Shell
15.00	8.62	7.44	11.00	12.50	5/6	0.66	61606F**	88	G	I	0.50	
15.00	8.75	6.55	12.75	11.25	10	1.31	64036F	129	Q	O	0.50	9.44 Hub Bore. Vert. Ribbed. Notched.
15.00	8.76	4.50	8.78	11.25	10	1.31	65547B	82	H	O	0.62	*See footer.
15.00	8.76	4.50	9.00	11.25	10	1.31	65541B	80	H	O	0.62	
15.00	8.76	4.50	9.00	11.25	10	0.81	65542B	81	H	O	0.62	
15.00	8.79	6.56	9.00	10.83	8	1.00	66830B	81	K	O	0.50	
15.00	8.86	4.78	8.75	11.25	10	1.31	61529B	70	H	O	0.50	
15.00	8.86	4.78	8.75	11.25	10	1.31	61529F	70	H	O	0.50	
15.00	8.86	4.78	8.78	11.25	10	1.00	61527B	70	K	O	0.50	*See footer.
15.00	8.86	4.78	8.78	11.25	10	1.31	61528B	70	H	O	0.50	*See footer.
15.00	8.89	4.70	8.78	11.25	10	1.31	77528B	64	V	O	0.50	Vortex Unlimited
15.00	8.98	4.75	8.75	11.25	10	0.81	65546B	77	H	O	0.50	
15.00	9.04	4.50	8.78	11.25	10	1.00	65545B	68	H	O	0.50	*See footer.
15.00	9.04	4.50	8.78	11.25	10	1.00	65555B	81	M	O	0.50	
15.00	9.04	4.50	8.78	11.25	10	1.00	65565B	80	H	O	0.50	
15.00	9.04	4.50	8.78	11.25	10	1.31	65548B	78	H	O	0.50	*See footer.
15.00	9.04	4.50	9.00	11.25	10	1.31	65549B	79	H	O	0.50	
15.00	9.04	4.75	9.00	10.83	8	1.00	65543B	80	H	O	0.50	
15.00	9.10	8.32	11.06	13.19	10	1.09	64044F	94	G	O	0.50	
15.00	9.15	7.40	11.22	13.19	10	0.94	64049B	96	G	O	0.55	
15.00	9.10	5.50	8.53	11.25	10	1.31	65550B	85	H	O	0.50	
15.00	9.10	5.50	8.78	11.25	10	1.31	65554B	83	H	O	0.50	

Mount I=Inboard, O=Outboard

See Page 4 for Obsolete with No Replacement Brake Drums.

\*Available for purchase through the pallet program. See Page 6 for pallet part numbers.

\*\*Will become obsolete when current inventory is depleted. Call for availability - if purchased, parts are non-returnable.



## BRAKE DRUM PROGRESSIVE SECTION

Brake Surface Diameter	Overall Depth	Brake Surface Flat	Pilot Diameter	Bolt Circle Diameter	Bolt Holes		Drum Number	Weight	Type	Mount	Backface Thickness	Special Information
					No.	Size						
15.00	9.10	5.50	9.00	11.25	10	1.28	65551B	81	H	O	0.50	
<b>15.00 BRAKE SURFACE DIAMETER</b>												
15.00	9.31	5.40	8.78	11.25	10	1.00	65153B	82	K	O	0.50	
15.00	9.31	5.40	8.78	11.25	10	1.31	65154B	82	K	O	0.50	
15.00	9.44	7.50	9.75	11.25	5	0.66	61548F	93	H	I	0.50	
15.00	9.46	6.26	8.78	11.25	10	1.00	61951B	72	K	O	0.50	Approved for 19.5 disc wheels.
15.00	9.49	6.18	8.78	11.25	10	1.00	65145B	110	F	O	0.62	
15.00	9.49	6.18	9.00	11.25	10	1.31	65147B	108	F	O	0.62	
15.00	9.75	7.52	8.78	11.25	10	1.00	61510B	91	K	O	0.50	
15.00	9.81	6.50	9.00	11.25	10	1.31	65157B	111	H	O	0.62	
15.00	9.84	6.64	8.78	11.25	10	1.00	61950B	77	K	O	0.50	Approved for 19.5 disc wheels.
15.00	9.84	6.64	8.78	11.25	10	1.09	61959B	77	K	O	0.50	
15.00	9.84	6.64	9.00	10.83	8	1.00	61958B	78	K	O	0.50	Approved for 19.5 disc wheels.
15.00	10.09	7.25	8.53	11.25	10	0.81	61574F	98	K	O	0.50	
15.00	10.38	7.56	8.53	11.25	10	0.81	61591F	102	K	O	0.50	For Girling Brakes.
15.00	10.41	7.57	8.78	11.25	10	1.00	61567B	97	K	O	0.50	
15.00	10.41	7.57	8.78	11.25	10	1.00	61567F	97	K	O	0.50	
15.00	10.59	7.75	8.53	11.25	10	0.81	61571F	106	K	O	0.50	
15.00	10.59	7.75	9.00	10.83	8	1.00	61576B	105	K	O	0.50	
15.00	10.59	7.75	9.00	10.83	8	1.00	61576F	105	K	O	0.50	
15.00	10.59	7.75	8.78	11.25	10	1.00	61577B	104	K	O	0.50	
15.00	10.59	7.75	8.78	11.25	10	1.00	61577F	104	K	O	0.50	
15.00	10.93	7.50	6.44	8.75	6	0.81	61586F	101	K	O	0.44	
15.00	11.59	9.21	8.78	11.25	10	1.00	61988B	110	K	O	0.50	Approved for 19.5 disc wheels.
15.00	11.59	9.21	8.78	11.25	10	1.00	61988F	112	K	O	0.50	Approved for 19.5 disc wheels.
15.00	11.59	9.21	9.00	10.83	8	1.00	61989B	105	K	O	0.50	Approved for 19.5 disc wheels.
15.00	11.59	9.21	9.00	10.83	8	1.00	61989F	105	K	O	0.50	Approved for 19.5 disc wheels.
15.00	11.75	9.22	8.78	11.25	10	1.00	61991B	118	K	O	0.50	Approved for 19.5 disc wheels.
15.00	11.75	9.22	8.78	11.25	10	1.00	61991F	118	K	O	0.50	Approved for 19.5 disc wheels.
15.00	11.75	9.22	8.78	11.25	10	1.09	61992F	118	K	O	0.50	Approved for 19.5 disc wheels.
15.00	11.75	9.22	9.00	10.83	8	1.00	61999F	118	K	O	0.50	Approved for 19.5 disc wheels.
15.00	12.38	10.15	12.75	11.25	10	1.31	64038F	177	Q	O	0.50	9.44 Hub Bore. Vert. Ribbed. Notched.

### 15.14 BRAKE SURFACE DIAMETER

Mount I=Inboard, O=Outboard

See Page 4 for Obsolete with No Replacement Brake Drums.

\*Available for purchase through the pallet program. See Page 6 for pallet part numbers.

\*\*Will become obsolete when current inventory is depleted. Call for availability - if purchased, parts are non-returnable.



### BRAKE DRUM PROGRESSIVE SECTION

Brake Surface Diameter	Overall Depth	Brake Surface Flat	Pilot Diameter	Bolt Circle Diameter	Bolt Holes		Drum Number	Weight	Type	Mount	Backface Thickness	Special Information
					No.	Size						
15.14	8.65	6.50	12.75	11.25	10	1.31	64046B	119	M	O	0.50	9.44 Hub Bore. Notched.
<b>15.50 BRAKE SURFACE DIAMETER</b>												
15.14	8.65	6.50	12.75	11.25	10	1.31	64046H	119	M	O	0.50	9.44 Hub Bore. Notched.
15.14	12.38	10.25	12.75	11.25	10	1.31	64048B	191	M	O	0.50	9.44 Hub Bore, Notched *See footer.
15.50	8.34	6.37	11.07	13.19	10	1.09	64065F	118	O	O	0.50	
<b>15.75 BRAKE SURFACE DIAMETER</b>												
15.75	8.36	5.84	8.78	11.25	10	0.81	65757B	85	F	O	0.44	
15.75	8.56	6.04	8.53	11.25	10	0.81	65753B	88	H	O	0.44	
<b>16.14 BRAKE SURFACE DIAMETER</b>												
16.14	8.38	6.56	14.53	13.19	10	0.94	64040B	96	M	O	0.62	11.73 Hub Bore. *See footer.
16.14	10.83	9.13	11.10	13.19	10	0.94	64026F	145	G	O	0.62	
16.14	11.81	9.12	14.41	13.19	5/10	0.94	64089B	133	M	O	0.62	11.73 Hub Bore. *See footer.
16.14	11.81	9.12	14.53	13.19	10	0.94	64039F	132	M	O	0.62	*See footer.
<b>16.21 BRAKE SURFACE DIAMETER</b>												
16.21	8.38	6.56	14.53	13.19	10	0.94	64040Z	96	M	O	0.62	11.73 Hub Bore.
16.21	11.81	9.12	14.41	13.19	10	0.94	64089Z	133	M	O	0.62	11.73 Hub Bore.
<b>16.50 BRAKE SURFACE DIAMETER</b>												
16.50	6.12	5.41	9.25	11.25	5/6	0.78	65516B	78	A	I	0.50	
16.50	6.25	5.31	9.18	11.25	5/6	0.66	63436F	80	G	I	0.56	
16.50	6.25	5.31	9.44	11.00	5	0.78	63447F	79	G	I	0.56	
					6	0.66						
16.50	6.30	5.59	9.25	11.25	5/6	0.78	65526B	81	A	I	0.50	Notched.
16.50	6.41	5.33	10.00	12.75	5/6	0.78	62117F	90	A	I	0.56	
16.50	6.50	5.56	9.00	11.25	5	0.78	63427F	84	G	I	0.56	
16.50	6.69	5.41	10.00	12.75	5/6	0.78	62115B	88	G	I	0.56	
16.50	6.88	6.10	11.25	12.75	5	0.66	68970B**	82	A	I	0.50	
					6	0.78						
16.50	7.22	6.25	14.25	12.75	5/6	0.66	68940F**	78	F	I	0.50	11.25 Hub Bore Shoulder for Clipped Head Stud.
16.50	7.22	6.25	14.25	12.75	5	0.78	68887B	78	F	I	0.50	11.25 Hub Bore
					6	0.66						
16.50	7.44	6.38	11.25	12.75	6	0.78	65266B	104	A	I	0.50	
16.50	7.87	6.25	9.44	11.25	10	0.81	64468F	84	H	I	0.44	
16.50	8.00	6.38	9.38	11.25	10	0.81	64466F	85	H	I	0.44	
16.50	8.00	6.38	9.44	11.25	10	0.81	64467F	85	H	I	0.44	
16.50	8.00	7.28	11.00	12.75	5/6	0.66	68897B	104	A	I	0.41	
16.50	8.00	7.28	11.00	12.75	5/6	0.66	68897F	105	A	I	0.41	*See footer.

Mount I=Inboard, O=Outboard

See Page 4 for Obsolete with No Replacement Brake Drums.

\*Available for purchase through the pallet program. See Page 6 for pallet part numbers.

\*\*Will become obsolete when current inventory is depleted. Call for availability - if purchased, parts are non-returnable.



## BRAKE DRUM PROGRESSIVE SECTION

Brake Surface Diameter	Overall Depth	Brake Surface Flat	Pilot Diameter	Bolt Circle Diameter	Bolt Holes		Drum Number	Weight	Type	Mount	Backface Thickness	Special Information
					No.	Size						
16.50	8.10	5.48	8.66	11.25	10	0.81	68848F	90	K	O	0.62	
<b>16.50 BRAKE SURFACE DIAMETER</b>												
16.50	8.10	5.48	8.69	11.25	10	1.09	68844F	89	K	O	0.62	
16.50	8.10	5.48	8.78	11.25	10	1.00	68846B	89	K	O	0.62	
16.50	8.10	5.48	8.78	11.25	10	1.31	68845F	88	K	O	0.62	
16.50	8.19	7.19	14.25	12.75	5/6	0.66	68882F	93	F	I	0.50	11.25 Hub Bore.
16.50	8.19	7.19	14.25	12.75	5/6	0.66	68942F	93	F	I	0.50	11.25 Hub Bore Shoulder for Clipped Head Stud.
16.50	8.19	7.19	14.25	12.75	5	0.78	68958B	93	F	I	0.50	11.25 Hub Bore.
					6	0.66						
16.50	8.19	7.19	14.25	12.75	5	0.78	68958F	93	F	I	0.50	11.25 Hub Bore.
					6	0.66						
16.50	8.23	7.23	11.25	12.75	5/6	0.78	63032F	105	G	I	0.56	
16.50	8.31	7.62	13.50	15.00	10	0.53	62199F	88	A	I	0.44	
16.50	8.38	7.38	9.44	11.00	5	0.78	67518B	98	G	I	0.50	
					6	0.66						
16.50	8.38	7.38	9.44	11.00	5	0.78	67518F	100	G	I	0.50	*See footer.
					6	0.66						
16.50	8.38	7.38	9.44	11.25	10	0.81	67537F	100	G	I	0.50	
16.50	8.40	7.40	10.50	12.75	5	0.78	63031B	114	G	I	0.56	
16.50	8.44	7.24	11.25	12.75	5/6	0.78	61731F	123	H	I	0.56	
16.50	8.44	7.37	11.25	12.75	5/6	0.78	68981B	100	G	I	0.50	*See footer.
16.50	8.50	7.32	8.66	11.25	10	0.81	61791F	107	A	I	0.50	
16.50	8.50	7.40	11.00	12.50	5/6	0.66	61780F	108	H	I	0.50	
16.50	8.53	7.44	11.42	13.19	6	0.66	68986B	102	G	I	0.53	
16.50	8.56	5.44	8.66	11.25	10	1.31	68988F	84	H	O	0.50	
16.50	8.56	5.44	8.78	11.25	10	1.00	68985F	85	H	O	0.50	
16.50	8.56	5.44	8.78	11.25	10	1.31	68989F	84	H	O	0.50	
16.50	8.69	7.63	10.50	12.75	5/6	0.78	62997B	96	G	I	0.56	
16.50	8.69	7.63	10.50	12.75	5/6	0.78	62997F	97	G	I	0.56	*See footer.
16.50	8.75	7.31	9.00	11.25	10	0.81	68731F	101	G	I	0.50	
16.50	8.75	7.31	9.00	11.25	10	1.06	68733F	103	G	I	0.50	
16.50	8.75	7.44	9.44	11.00	5	0.78	68760F	103	G	I	0.52	
16.50	8.75	7.44	9.50	11.25	10	0.81	68730B	101	G	I	0.52	
16.50	8.75	7.44	9.50	11.25	10	0.81	68730F	103	G	I	0.52	*See footer.
16.50	8.75	7.44	9.50	11.25	5/6	0.81	68732F	103	G	I	0.52	
16.50	8.75	7.44	9.50	11.25	10	1.00	68734F	103	G	I	0.52	
16.50	8.75	7.44	9.50	11.25	5	0.81	68765B	101	G	I	0.52	
					6	0.66						
16.50	8.75	7.44	9.50	11.25	5	0.81	68765F	101	G	I	0.52	
					6	0.66						

Mount I=Inboard, O=Outboard

See Page 4 for Obsolete with No Replacement Brake Drums.

\*Available for purchase through the pallet program. See Page 6 for pallet part numbers.

\*\*Will become obsolete when current inventory is depleted. Call for availability - if purchased, parts are non-returnable.





### BRAKE DRUM PROGRESSIVE SECTION

Brake Surface Diameter	Overall Depth	Brake Surface Flat	Pilot Diameter	Bolt Circle Diameter	Bolt Holes		Drum Number	Weight	Type	Mount	Backface Thickness	Special Information
					No.	Size						
16.50	8.75	7.50	11.00	12.50	5/6	0.66	61727F**	111	H	I	0.50	
<b>16.50 BRAKE SURFACE DIAMETER</b>												
16.50	8.78	6.72	9.75	11.25	5	0.66	68036F**	104	H	I	0.50	Notched.
16.50	8.78	7.41	11.25	12.75	5	0.78	61730F	98	H	I	0.50	
					6	0.66						
16.50	8.78	7.41	11.25	12.75	5/6	0.78	62240F	98	G	I	0.50	
16.50	8.81	7.50	9.44	11.25	10	0.81	68921F	108	H	I	0.50	
16.50	8.84	5.75	8.53	11.25	10	1.31	65739B	95	K	O	0.50	
16.50	8.88	7.62	11.00	12.75	6	0.66	61733F	134	H	I	0.56	
16.50	8.88	5.46	8.78	11.25	10	1.00	95710B	75	K	O	0.25	Steel Shell
16.50	8.92	7.40	9.38	11.25	10	0.81	68918F	109	H	I	0.50	
16.50	9.00	7.50	11.25	12.75	5	0.78	68903F	107	H	I	0.50	
					6	0.66						
16.50	9.00	7.62	9.50	11.25	5/6	0.78	68012F	112	H	I	0.56	Notched.
16.50	9.00	7.62	9.50	11.25	10	0.81	68013F	112	H	I	0.56	Notched.
16.50	9.04	5.95	8.78	11.25	10	1.31	65710B	96	K	O	0.50	*See footer.
16.50	9.06	6.94	9.44	11.25	10	0.81	66096F	100	H	I	0.50	
16.50	9.14	5.45	8.78	11.25	10	1.00	65659B	85	K	O	0.50	
16.50	9.15	5.94	11.25	13.19	10	1.00	66350F	94	K	O	0.50	
16.50	9.19	5.62	9.00	11.25	10	1.31	64035F	131	H	O	0.62	
16.50	9.22	5.50	8.53	11.25	10	1.31	65650B	90	H	O	0.62	
16.50	9.22	5.50	8.78	11.25	10	1.00	65654B	89	H	O	0.62	
16.50	9.22	5.50	9.00	11.25	10	1.31	65651B	90	H	O	0.62	
16.50	9.22	5.82	8.78	11.25	10	1.00	95151B	76	K	O	0.25	Steel Shell
16.50	9.25	6.25	8.66	11.25	10	1.00	65173B	114	H	O	0.62	
16.50	9.37	5.45	8.78	11.25	10	1.00	65158B	92	K	O	0.50	
16.50	9.37	5.45	8.78	11.25	10	1.31	65151B	92	K	O	0.50	
16.50	9.37	5.70	8.78	11.25	10	1.31	77805BW	93	V	O	0.50	Vortex CRT
16.50	9.38	5.68	9.00	11.25	10	1.31	65175B	102	K	O	0.62	Notched.
16.50	9.38	5.68	9.00	11.25	10	1.31	65175F	102	K	O	0.62	Notched.
16.50	9.38	6.38	8.74	11.25	10	1.31	65165B	114	H	O	0.62	
16.50	9.38	6.38	8.78	11.25	10	1.31	65161B*	114	H	O	0.62	
16.50	9.39	5.70	8.78	11.25	10	1.31	77710B**	79	V	O	0.50	Use 77805BW
16.50	9.44	6.55	11.25	13.19	10	1.00	66364B	106	K	O	0.50	*See footer.
16.50	9.50	7.38	9.44	11.25	10	0.81	62200F	104	H	I	0.50	*See footer.
16.50	9.50	7.50	11.05	13.19	10	1.03	66283F	112	G	I	0.88	
16.50	9.52	6.27	8.78	11.25	10	1.00	65163B	117	H	O	0.62	
16.50	9.52	6.27	8.78	11.25	10	1.00	65163F	119	H	O	0.62	
16.50	9.52	6.27	8.78	11.25	10	1.00	65183B	117	H	O	0.62	
16.50	9.52	6.27	8.78	11.25	10	1.31	65181B	116	H	O	0.62	
16.50	9.52	6.27	8.78	11.25	10	1.31	65182B	116	H	O	0.62	
16.50	9.52	6.38	8.78	11.25	10	1.00	65607B	117	K	O	0.50	

Mount I=Inboard, O=Outboard

See Page 4 for Obsolete with No Replacement Brake Drums.

\*Available for purchase through the pallet program. See Page 6 for pallet part numbers.

\*\*Will become obsolete when current inventory is depleted. Call for availability - if purchased, parts are non-returnable.



## BRAKE DRUM PROGRESSIVE SECTION

Brake Surface Diameter	Overall Depth	Brake Surface Flat	Pilot Diameter	Bolt Circle Diameter	Bolt Holes		Drum Number	Weight	Type	Mount	Backface Thickness	Special Information
					No.	Size						
16.50	9.52	6.38	8.78	11.25	10	1.31	65600B	116	K	O	0.50	*See footer.
16.50	9.52	6.38	8.78	11.25	10	1.31	65600C	116	K	O	0.50	*See footer.
16.50	9.52	6.38	8.78	11.25	10	1.31	65604B**	111	K	O	0.50	
16.50	9.59	6.56	8.78	11.25	10	1.00	65609B	113	K	O	0.50	
<b>16.50 BRAKE SURFACE DIAMETER</b>												
16.50	9.63	5.75	8.75	11.25	10	0.81	65174B	106	K	O	0.50	
16.50	9.63	5.93	8.78	11.25	10	1.00	65177B	110	K	O	0.50	Notched.
16.50	9.65	6.62	11.25	13.19	10	1.00	66366B	105	K	O	0.50	*See footer.
16.50	9.65	6.62	11.25	13.19	10	1.00	66374B	105	K	O	0.50	*See footer.
16.50	9.69	7.31	8.78	11.25	10	1.09	62670B	113	H	O	0.62	
16.50	9.69	7.31	8.78	11.25	10	1.31	62671B	113	H	O	0.62	
16.50	9.69	7.31	8.78	11.25	10	1.31	62671F	113	H	O	0.62	
16.50	9.75	6.50	8.53	11.25	10	1.31	65166B	123	H	O	0.62	
16.50	9.75	6.50	8.78	11.25	10	1.00	65162B	121	H	O	0.62	
16.50	9.75	6.50	8.78	11.25	10	1.00	65162F	121	H	O	0.62	
16.50	9.75	6.50	8.78	11.25	10	1.31	65152B	120	H	O	0.62	*See footer.
16.50	9.75	6.50	9.00	11.25	10	1.31	65167B	119	H	O	0.62	
16.50	9.84	6.38	8.78	11.25	10	1.31	65172B	108	K	O	0.50	
16.50	9.84	6.38	8.78	11.25	10	1.00	65179B	109	K	O	0.50	
16.50	9.88	6.62	8.78	11.25	10	1.00	65170B	116	K	O	0.62	Notched.
16.50	9.88	6.62	9.00	11.25	10	1.31	65169B	115	K	O	0.62	Notched. *See footer.
16.50	10.00	9.00	9.44	11.00	5	0.78	68946F	122	G	I	0.50	
					6	0.66						
16.50	10.13	6.87	8.78	11.25	10	1.00	65176B	118	K	O	0.50	Notched.
16.50	10.13	6.87	8.78	11.25	10	1.00	65176F	118	K	O	0.50	Notched.
16.50	10.19	7.38	8.78	11.25	10	1.00	66826B	116	K	O	0.50	Oil Groove.
16.50	10.19	7.38	12.75	11.25	10	0.81	66886B	124	M	O	0.50	9.44 Hub Bore.
16.50	10.19	7.38	12.75	11.25	10	1.31	66899B	123	M	O	0.50	9.44 Hub Bore.
16.50	10.19	9.00	9.50	11.25	10	0.81	68927F	128	G	I	0.50	
16.50	10.19	9.00	9.50	11.25	5	0.78	68931F	128	G	I	0.50	
					6	0.66						
16.50	10.25	7.25	9.38	11.25	10	0.81	66857F	111	K	O	0.50	
16.50	10.25	7.38	8.53	11.25	10	0.81	66852B	115	K	O	0.50	
16.50	10.25	7.38	8.53	11.25	10	0.81	66852F	115	K	O	0.50	
16.50	10.25	7.38	8.53	11.25	10	0.81	66892B	106	K	O	0.50	
16.50	10.25	7.38	8.53	11.25	10	0.81	66892F	106	K	O	0.50	
16.50	10.25	7.38	9.00	10.83	8	1.00	66878B	104	K	O	0.50	
16.50	10.25	7.38	9.00	10.83	8	1.00	66878F	104	K	O	0.50	
16.50	10.25	7.38	11.25	13.19	10	1.00	66663B	128	K	O	0.50	
16.50	10.25	7.44	8.53	11.25	10	1.31	66862B	108	K	O	0.50	
16.50	10.25	7.44	8.53	11.25	10	1.31	66862F	108	K	O	0.50	
16.50	10.30	7.30	8.78	11.25	10	1.00	66873B	108	K	O	0.50	*See footer.

Mount I=Inboard, O=Outboard

See Page 4 for Obsolete with No Replacement Brake Drums.

\*Available for purchase through the pallet program. See Page 6 for pallet part numbers.

\*\*Will become obsolete when current inventory is depleted. Call for availability - if purchased, parts are non-returnable.



### BRAKE DRUM PROGRESSIVE SECTION

Brake Surface Diameter	Overall Depth	Brake Surface Flat	Pilot Diameter	Bolt Circle Diameter	Bolt Holes		Drum Number	Weight	Type	Mount	Backface Thickness	Special Information
					No.	Size						
16.50	10.30	7.30	8.78	11.25	10	1.00	66873F	110	K	O	0.50	*See footer.
16.50	10.31	7.50	9.00	11.25	10	0.81	66865B	108	K	O	0.50	
16.50	10.31	7.56	11.06	13.19	10	1.09	66626B	113	K	O	0.50	
16.50	10.35	7.54	8.53	11.25	10	0.81	66883B	107	K	O	0.50	Notched.
<b>16.50 BRAKE SURFACE DIAMETER</b>												
16.50	10.35	7.54	8.53	11.25	10	0.81	66883F	107	K	O	0.50	Notched.
16.50	10.35	7.54	8.78	11.25	10	1.00	66867B	106	K	O	0.50	Notched.
16.50	10.37	7.38	8.78	11.25	10	1.19	66660B	137	K	O	0.62	
16.50	10.37	7.38	8.78	11.25	10	1.19	66668F	125	H	O	0.62	
16.50	10.37	7.46	8.78	11.25	10	1.00	66661B	136	K	O	0.50	For severe service
16.50	10.38	7.38	8.66	11.25	10	0.81	66896F	111	K	O	0.50	
16.50	10.38	7.38	8.66	11.25	10	1.50	66801B**	107	K	O	0.50	
16.50	10.41	7.64	9.00	10.83	8	1.00	96875B	89	K	O	0.25	Steel Shell
16.50	10.41	7.64	8.78	8.53	10	1.00	96893B	89	K	O	0.25	Steel Shell
16.50	10.41	7.64	8.78	8.78	10	1.00	96864B	89	K	O	0.25	Steel Shell
16.50	10.52	7.54	8.78	11.25	10	1.08	56864B	104	K	O	0.48	
16.50	10.54	7.54	8.78	11.25	10	1.00	66864F	109	K	O	0.50	*See footer. Use 66884F for heavy duty applications.
16.50	10.54	7.54	8.78	11.25	10	1.00	76864B**	102	V	O	0.50	*See footer.
16.50	10.54	7.54	8.78	11.25	10	1.00	66864B	108	K	O	0.50	*See footer. Use 66884B for heavy duty applications.
16.50	10.54	7.54	8.78	11.25	10	1.00	77807BW	108	V	O	0.48	Vortex CRT
16.50	10.54	7.54	8.78	11.25	10	1.00	77864BW	109	V	O	0.48	Vortex Unlimited
16.50	10.59	7.38	11.25	13.19	10	1.00	66250B	116	K	O	0.50	
16.50	10.59	7.38	11.25	13.19	10	1.00	66250F	116	K	O	0.50	
16.50	10.59	7.38	11.25	13.19	10	1.00	66251F	111	K	O	0.50	
16.50	10.62	7.62	8.53	11.25	10	0.81	66853B	119	K	O	0.50	
16.50	10.62	7.62	8.53	11.25	10	0.81	66893B	113	K	O	0.50	
16.50	10.62	7.62	8.53	11.25	10	0.81	66893F	114	K	O	0.50	*See footer.
16.50	10.62	7.62	8.74	11.25	10	0.81	66890B	111	K	O	0.50	
16.50	10.62	7.62	8.78	11.25	10	1.00	66807B	111	H	O	0.50	With windows
16.50	10.62	7.62	8.78	11.25	10	1.00	66843B	121	K	O	0.50	Oil Groove.
16.50	10.62	7.62	8.78	11.25	10	1.00	66884B	117	K	O	0.50	*See footer. Use 66661B for severe service.
16.50	10.62	7.62	8.78	11.25	10	1.00	66884F	119	K	O	0.50	*See footer. Use 66661B for severe service.
16.50	10.62	7.81	9.00	10.83	8	1.00	66875B	110	K	O	0.50	
16.50	10.62	7.81	9.00	10.83	8	1.00	66875F	111	K	O	0.50	*See footer.
16.50	10.62	7.81	9.00	11.25	10	0.81	66895B	110	K	O	0.50	*See footer.

Mount I=Inboard, O=Outboard

See Page 4 for Obsolete with No Replacement Brake Drums.

\*Available for purchase through the pallet program. See Page 6 for pallet part numbers.

\*\*Will become obsolete when current inventory is depleted. Call for availability - if purchased, parts are non-returnable.



## BRAKE DRUM PROGRESSIVE SECTION

Brake Surface Diameter	Overall Depth	Brake Surface Flat	Pilot Diameter	Bolt Circle Diameter	Bolt Holes		Drum Number	Weight	Type	Mount	Backface Thickness	Special Information
					No.	Size						
16.50	10.62	7.81	9.00	11.25	10	1.31	66888F	110	K	O	0.50	
16.50	10.75	7.50	9.44	11.25	10	0.81	60876B	107	K	O	0.56	
16.50	10.75	7.50	9.44	11.25	10	0.81	60876F	108	K	O	0.56	*See footer.
16.50	10.82	7.50	8.78	11.25	10	1.00	65670B	115	K	O	0.50	Oil Groove. *See footer.
16.50	10.91	8.55	8.78	11.25	10	1.00	96800B	93	K	O	0.25	Steel Shell
16.50	11.06	10.12	9.44	11.00	5	0.78	63410F	133	G	I	0.50	
					6	0.66						
16.50	11.10	8.61	8.78	11.25	10	1.00	66800B	119	K	O	0.56	*See footer.
16.50	11.10	8.61	8.78	11.25	10	1.00	66800F	119	K	O	0.56	*See footer.
<b>16.50 BRAKE SURFACE DIAMETER</b>												
16.50	11.10	8.71	8.78	11.25	10	1.00	66808B	119	H	O	0.56	With windows
16.50	11.15	8.66	8.78	11.25	10	1.00	77800BW	118	V	O	0.56	Vortex Unlimited
16.50	11.15	8.66	8.78	11.25	10	1.00	77808BW	117	V	O	0.56	Vortex CRT
16.50	11.18	7.44	8.78	11.25	10	1.00	66353B	110	K	O	0.50	*See footer.
16.50	11.18	7.44	8.78	11.25	10	1.00	66353F	112	K	O	0.50	*See footer.
16.50	11.19	8.88	8.53	11.25	10	0.81	64041F	148	H	O	0.50	Use with 24.5 Disc Wheel Only.
16.50	11.19	8.88	9.00	11.25	10	1.31	64057F	146	H	O	0.50	
16.50	11.21	9.10	8.78	11.25	10	1.00	96854B	100	K	O	0.25	Steel Shell
16.50	11.25	8.94	9.44	11.25	10	0.84	68891F	124	H	I	0.50	
16.50	11.28	9.16	11.25	13.19	10	1.09	64053B	160	K	O	0.59	*See footer.
16.50	11.39	9.00	8.78	11.25	10	1.00	66809B	120	H	O	0.56	With windows
16.50	11.44	8.50	8.53	11.25	10	0.81	64047B	139	H	O	0.50	Notched.
16.50	11.44	8.50	8.53	11.25	10	0.81	64047F	139	H	O	0.50	Notched.
16.50	11.44	8.50	8.78	11.25	10	0.81	64045B	139	H	O	0.50	Notched.
16.50	11.46	8.86	8.78	11.25	10	1.00	66827B	130	K	O	1.00	Special Backplate Thickness w/Oil Groove.
16.50	11.46	9.05	8.78	11.25	10	1.00	77809BW	120	V	O	0.56	Vortex CRT
16.50	11.46	9.05	8.78	11.25	10	1.00	77854BW	122	V	O	0.56	Vortex Unlimited
16.50	11.46	9.08	8.78	11.25	10	1.00	66855B	121	K	O	0.56	*See footer.
16.50	11.46	9.12	8.78	11.25	10	1.00	66854B	120	K	O	0.56	Oil Groove. *See footer.
16.50	11.46	9.12	8.78	11.25	10	1.00	66854F	121	K	O	0.56	*See footer.
16.50	11.46	9.08	8.78	11.25	10	1.00	64126B	151	J	O	0.56	Extra Heavy Duty
16.50	11.56	9.44	11.11	13.19	10	1.09	64050B	172	K	O	0.59	*See footer.
16.50	11.56	9.44	11.25	13.19	10	1.09	64051B	171	K	O	0.59	*See footer.
16.50	11.56	9.44	11.25	13.19	10	1.09	64051J	171	K	O	0.59	*See footer.
16.50	11.94	10.34	9.44	11.25	10	0.94	67205F	135	H	I	0.50	
16.50	11.99	9.23	8.78	11.25	10	1.00	66834F	129	K	O	0.50	
16.50	12.12	9.36	8.53	11.25	10	0.81	66811F	130	K	O	0.50	
16.50	12.28	9.52	9.44	11.25	10	0.94	66817F	130	K	O	0.56	
16.50	12.35	9.86	8.78	11.25	10	1.00	64125B	166	F	O	0.56	*See footer.

Mount I=Inboard, O=Outboard

See Page 4 for Obsolete with No Replacement Brake Drums.

\*Available for purchase through the pallet program. See Page 6 for pallet part numbers.

\*\*Will become obsolete when current inventory is depleted. Call for availability - if purchased, parts are non-returnable.



### BRAKE DRUM PROGRESSIVE SECTION

Brake Surface Diameter	Overall Depth	Brake Surface Flat	Pilot Diameter	Bolt Circle Diameter	Bolt Holes		Drum Number	Weight	Type	Mount	Backface Thickness	Special Information
					No.	Size						
16.50	12.35	9.86	8.78	11.25	10	1.00	64125F	166	F	O	0.56	
16.50	12.39	9.63	8.53	11.25	10	0.81	66815F	133	K	O	0.50	
16.50	12.39	9.63	8.78	11.25	10	1.00	66814B	132	K	O	0.50	
16.50	12.39	9.63	8.78	11.25	10	1.00	66814F	132	K	O	0.50	
16.50	12.39	9.63	9.00	10.83	8	1.00	66816F	136	K	O	0.50	
16.50	13.19	10.50	8.78	11.25	10	1.00	66871B	169	K	O	0.50	
16.50	13.38	10.54	8.78	11.25	10	1.00	66866B	171	K	O	0.50	
16.50	13.38	10.89	8.53	11.25	10	0.81	66812B	160	K	O	0.50	Notched.
16.50	13.38	10.89	8.53	11.25	10	0.81	66812F	160	K	O	0.50	Notched.
16.50	13.38	10.89	9.00	11.25	10	1.31	66822F	158	K	O	0.50	Notched.
<b>16.54 BRAKE SURFACE DIAMETER</b>												
16.54	10.15	7.25	11.10	13.19	10	1.19	66669B	118	K	O	0.56	
<b>16.55 BRAKE SURFACE DIAMETER</b>												
16.55	10.00	7.50	8.78	11.25	10	1.00	66850B	98	K	O	0.50	
<b>18.00 BRAKE SURFACE DIAMETER</b>												
18.00	8.24	7.38	11.00	12.75	6	0.66	61788F	134	A	I	0.56	
18.00	8.50	7.25	11.25	12.75	6	0.78	61853F	126	H	I	0.56	
18.00	8.75	7.50	8.66	11.25	10	0.81	61859F	137	H	I	0.56	
18.00	8.75	7.50	9.00	11.25	10	1.06	61862F	135	H	I	0.56	
18.00	8.75	7.50	9.00	13.19	10	1.06	61850F	135	H	I	0.56	
18.00	8.75	7.50	9.50	11.25	6	0.66	61856F	138	H	I	0.56	
18.00	8.75	7.50	11.25	12.75	6	0.66	61854F	134	H	I	0.56	
18.00	8.75	7.50	11.25	12.75	6	0.78	61855F	131	H	I	0.56	
18.00	10.37	7.38	8.78	11.25	10	1.00	66665B	147	K	O	0.50	
18.00	10.37	7.38	11.25	13.19	10	1.19	61870B	147	K	O	0.62	

Mount I=Inboard, O=Outboard

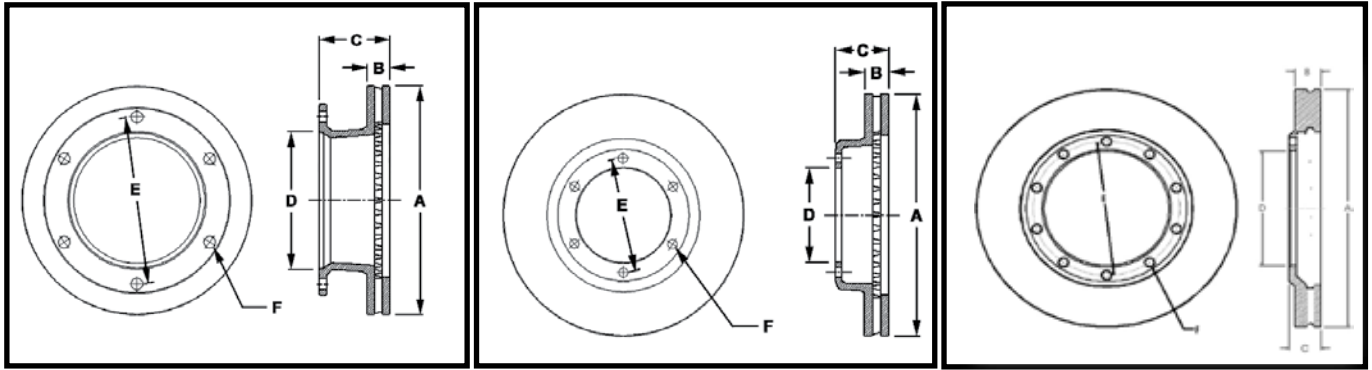
See Page 4 for Obsolete with No Replacement Brake Drums.

\*Available for purchase through the pallet program. See Page 6 for pallet part numbers.

\*\*Will become obsolete when current inventory is depleted. Call for availability - if purchased, parts are non-returnable.



## HYDRAULIC DISC BRAKE ROTORS



**U TYPE**

**HAT TYPE**

**FLAT TYPE**

Webb Rotor Part Number	Weight	Rotor Type	A	B	C	D	E	F		Special Info	Application Information
			Overall Diameter	Disc Thickness	Overall Depth	Pilot Diameter	Bolt Circle Diameter	Bolt Holes			
								Number	Size		
54102P 54102P-99	36	HAT	14.75	1.345	3.81	5.40	6.75	5	0.66		GMC/Chevrolet Front Axles
54103P 54103P-99	36	HAT	14.75	1.345	3.81	5.40	7.25	6	0.78		Ford Front Axles
54104P 54104P-99	37	HAT	14.75	1.345	3.81	5.40	6.75	6	0.66		GMC/Chevrolet Front Axles
54105P 54109P-99	36	HAT	14.75	1.345	3.81	5.40	7.25	6	0.78	Drilled for ABS	Ford Front Axles (ABS Applications)
54106P 54106P-99	36	HAT	14.75	1.345	3.81	6.00	7.25	10	0.59		School Bus/Light Truck
54107P 54107P-99	35	HAT	14.75	1.345	3.81	6.00	7.25	10	0.78		Ford Steer
54109P 54109P-99	36	HAT	14.75	1.345	3.81	5.40	6.75	6	0.66	Drilled for ABS	Same as 54104 with ABS
54255P	47	U	15.00	1.44	4.49	9.18	11.25	5	0.65		Navistar Front Axles
54256P	47	U	15.00	1.44	4.49	9.18	11.25	5	0.78		Navistar Front and Rear Axles
54280P	56	U	15.00	1.435	6.00	14.25	12.75	5	0.78		Bendix Hydraulic
54281P	56	U	15.00	1.435	6.79	9.37	11.25	10	0.81		
54282P	56	U	15.00	1.435	6.09	14.25	12.75	5	0.66		Bendix Hydraulic
54291P	50	U	15.00	1.435	4.88	9.25	11.25	6	0.78		Bluebird Bus Aftermarket
54292P	54	U	15.00	1.435	6.00	9.50	11.25	10	0.81		Bluebird Bus Drive Axle Aftermarket
54301P	42	HAT	15.39	1.535	3.40	6.00	7.25	10	0.59		GMC/Chevrolet Front and Rear Axles
54325P	40	FLAT	15.39	1.535	1.91	7.38	8.65	10	0.53		09-13 Ford F650/F750 front and rear. IC bus Front and Rear.

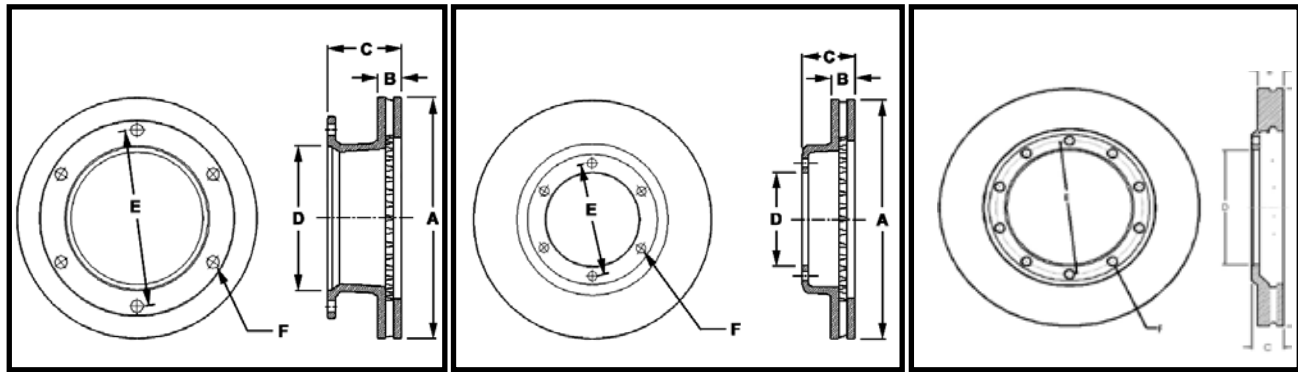
(-65) Indicates rotor has corrosion protective coating.

(-98) Enhanced with LifeShield technology for superior corrosion and wear resistance

(-99) Enhanced with LifeShield technology for superior corrosion and wear resistance

P in part number indicates packaged rotor. Rotors are packaged for protection.

## HYDRAULIC DISC BRAKE ROTORS



**U TYPE**

**HAT TYPE**

**FLAT TYPE**

Webb Rotor Part Number	Weight	Rotor Type	A	B	C	D	E	F		Special Info	Application Information
			Overall Diameter	Disc Thickness	Overall Depth	Pilot Diameter	Bolt Circle Diameter	Number	Size		
54351P 54351P-99	51	U	15.39	1.535	4.75	9.25	11.25	6	0.78		Ford Front Axles (1983 and Newer)
54352P	55	U	15.39	1.535	6.03	6.44	8.75	6	0.84		Ford Front Axles (1984 and Newer)
54360P	60	U	15.39	1.535	6.07	8.69	11.25	10	0.84		Truck Hydraulic
54365P-65	61	U	15.39	1.54	7.60	9.12	11.25	10	0.94	ABS	Bluebird TC2000 & 3000 Buses
54769P-65 54769P-98	39	HAT	15.00	1.435	3.50	5.40	6.75	5	0.78	ABS	Navistar Front Axles (ABS Applications)
54770P-65 54770P-98	40	HAT	15.00	1.435	3.50	5.40	6.75	6	0.77	ABS	Navistar Front and Rear Axles (ABS Applications)
54771P-65 54771P-98	42	HAT	15.00	1.435	4.44	6.00	7.25	10	0.58	ABS	Truck Front and Rear Axles (ABS Applications)
54773P-65 54773P-98	38	HAT	15.00	1.435	3.21	6.00	7.25	10	0.58	ABS	Truck Front and Rear Axles (ABS Applications)
54775P-65 54775P-98	43	HAT	15.38	1.535	3.40	6.00	7.25	10	0.58	ABS	GM Front/Rear Bluebird Front Rear 19L Max Thomas Bus Front/Rear
54776P-65 54776P-98	39	HAT	15.00	1.435	3.50	5.40	6.75	6	0.58	ABS	
54778P-65	43	HAT	15.00	1.435	3.50	5.40	6.75	6	0.77		
54779P-98	43	HAT	15.38	1.535	3.40	5.25	6.75	6	0.77	ABS	

(-65) Indicates rotor has corrosion protective coating.

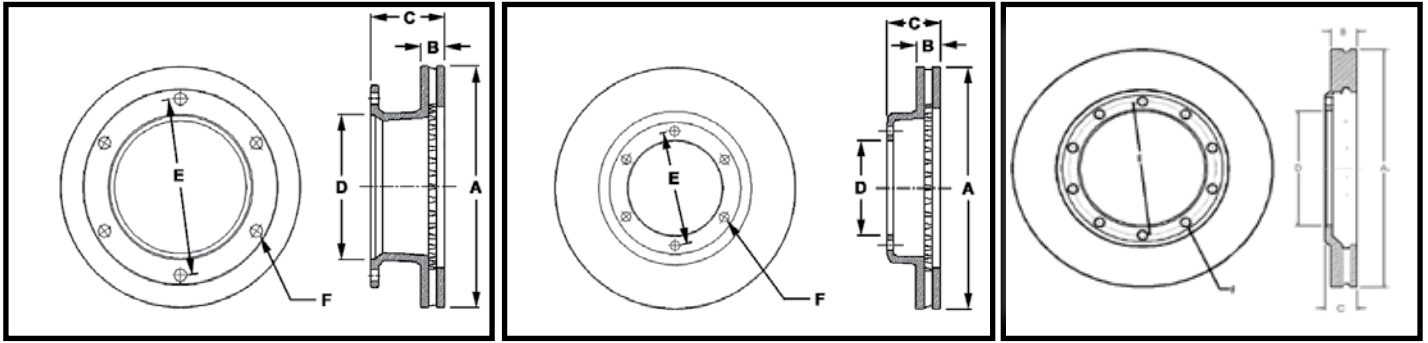
(-98) Enhanced with LifeShield technology for superior corrosion and wear resistance

(-99) Enhanced with LifeShield technology for superior corrosion and wear resistance

P in part number indicates packaged rotor. Rotors are packaged for protection.



## AIR DISC BRAKE ROTORS



**U TYPE**

**HAT TYPE**

**FLAT TYPE**

Webb Rotor Part Number	Weight	Rotor Type	A Overall Diameter	B Disc Thickness	C Overall Depth	D Pilot Diameter	E Bolt Circle Diameter	F		Special Info	Application Information
								Bolt Holes			
								Number	Size		
54220P	80	Hat	17.08	1.77	5.16	5.32	6.61	12	0.75		
55030PK-65	44	U	12.80	1.34	5.85	6.65	7.72	8	M14 X 2	ABS	
55031PK-65	62	U	14.86	1.77	5.91	8.65	9.82	10	M16 X 2	ABS	
55032PK-65	78	U	16.93	1.77	5.91	8.66	9.82	10	M16 X 2	ABS	
55035PK	71	U	16.34	1.69	5.91	8.66	9.82	10	M16 x 2	ABS	
55040P 55040P-99	79	Hat	17.01	1.77	5.12	5.15	6.61	12	0.75		Van Hool Front & Tag Axle
55060P	80	U	17.08	1.77	5.65	8.5	10.5	10	0.62		
55070P	79	U	17.08	1.77	5.65	7.64	9.82	10	0.55		
55075P	81	U	17.24	1.75	5.64	7.63	9.82	10	5/8" - 18 UNF		Drilled/Tapped for ABS
55080P 55080P-99	70	Hat	16.93	1.77	4.52	5.32	6.5	14	0.59		Prevost Front & Tag Axle
55090P-65	83	U	16.93	1.76	5.91	8.66	9.82	10	5/8" -11 UNC	ABS	
55097P-65	84	U	16.93	1.77	5.91	8.66	9.82	10	M16 X 2	ABS	
55098P-65	85	U	16.93	1.77	5.91	8.66	9.82	10	M16 X 2	ABS	
56020P 56020P-99	78	U	17.01	1.77	5.32	8.19	9.25	10	M16 x 1.5		
56022P 56022P-99	77	U	16.93	1.77	5.35	7.63	8.66	10	M16 x 1.5		Prevost Front & Tag Axle
56024P 56024P-99	75	U	16.93	1.77	5.16	7.99	9.25	10	M16 x 1.5		NOVA Bus, BCI Drive Axle
56026P 56026P-99	75	U	16.93	1.77	5.22	8.31	9.37	10	M14 x 1.5		Setra S417 Front, Tag & Drive Axle
56050P 56050P-99	91	U	16.93	1.77	7.08	7.64	9.82	10	0.58		
56090PK	86	U	16.92	1.77	6.29	12.94	11.25	10	M16 x 1.5		Rotor pilots on flange OD
56092PK	71	Flat	16.93	1.77	2.09	6.56	7.87	10	0.65		
56094PK	60	Flat	16.93	1.77	1.77	Spline	9.05	10	0.34	SPLINE	
56095P	78	U	16.92	1.77	5.91	8.66	9.82	10	0.62		

(-99) Enhanced with LifeShield technology for superior corrosion and wear resistance

P in part number indicates packaged rotor. Rotors are packaged for protection.

PK in part number indicates rotor is packaged for protection and hardware kit is included.



# BRAKE DRUMS: MAXIMUM WEAR DIAMETER



Webb Drum	MAX Diam
60876B	16.620
60876F	16.620
61510B	15.120
61511F	15.120
61526F	15.120
61527B	15.120
61528B	15.120
61529B	15.120
61529F	15.120
61536F	15.120
61548F	15.120
61554F	15.120
61566F	15.120
61567B	15.120
61567F	15.120
61571F	15.120
61574F	15.120
61576B	15.120
61576F	15.120
61577B	15.120
61577F	15.120
61591F	15.120
61599F**	15.120
61600B**	15.120
61601F	15.120
61606F**	15.120
61612F**	15.120
61727F	16.620
61730F	16.620
61731F	16.740
61733F	16.740
61780F	16.620
61788F	16.620
61791F	16.620
61850F	18.250
61853F	18.250
61854F	18.250
61855F	18.250
61856F	18.250
61859F	18.250
61862F	18.250
61870B	18.240
61950B	15.120
61951B	15.120
61958B	15.120
61959B	15.120
61988B	15.120

Webb Drum	MAX Diam
61988F	15.120
61989B	15.120
61989F	15.120
61991B	15.120
61991F	15.120
61992F	15.120
61999F	15.120
62115B	16.620
62117F	16.620
62199F	16.620
62200F	16.620
62240F	16.620
62358F	12.370
62670B	16.620
62671B	16.620
62671F	16.620
62997B	16.620
62997F	16.620
63031B	16.620
63032F	16.620
63035F	15.120
63294F	15.120
63410F	16.620
63427F	16.620
63436F	16.620
63447F	16.620
63617F	12.370
63630F	12.370
63631F	12.370
63634F	12.370
63635F	12.370
63637F	12.370
63647F	12.370
63650F	12.370
63654F	12.370
63658F	12.370
63680F	12.370
63688F	12.370
64004B	14.830
64009B	14.830
64015B	14.830
64016F	15.120
64017F	14.830
64018F	15.120
64026F	16.300
64028F	15.120
64035F	16.812

Webb Drum	MAX Diam
64036F	15.310
64038F	15.310
64039F	16.300
64040B	16.300
64041F	16.812
64044F	15.120
64045B	16.812
64046H	15.460
64047B	16.812
64047F	16.812
64048B	15.460
64049B	15.120
64050B	16.830
64051B	16.830
64051J	16.830
64053B	16.830
64057F	16.812
64065F	15.875
64073B	14.830
64073F	14.830
64089B	16.300
64105F	15.120
64112B	14.830
64115B	14.830
64115C	14.830
64115J	14.830
64117B	14.830
64117J	14.830
64119B	14.830
64125B	16.830
64125F	16.830
64403F	15.120
64404F	15.120
64405F	15.120
64408F	15.120
64413F	15.120
64414F	15.120
64417F	15.120
64425F	14.090
64426F	15.120
64430F	14.090
64432F	15.120
64444F	15.120
64445F	15.120
64449F	15.120
64453F	15.120
64454F	15.120

Webb Drum	MAX Diam
64466F	16.620
64467F	16.620
64468F	16.620
64477F	15.120
64478F	15.120
64481F	15.120
64483F	15.120
64489F	15.120
65119J	14.830
65145B	15.250
65147B	15.250
65151B	16.620
65152B	16.620
65153B	15.120
65154B	15.120
65157B	15.250
65158B	16.620
65161B	16.620
65162B	16.620
65162F	16.620
65163B	16.620
65163F	16.620
65165B	16.620
65166B	16.620
65167B	16.620
65169B	16.750
65170B	16.750
65172B	16.620
65173B	16.620
65174B	16.620
65175B	16.620
65175F	16.620
65176B	16.620
65176F	16.620
65177B	16.620
65179B	16.620
65181B	16.620
65182B	16.620
65183B	16.620
65256B	15.120
65266B	16.620
65514B	15.200
65516B	16.620
65526B	16.620
65541B	15.120
65542B	15.120
65543B	15.120



## BRAKE DRUMS: MAXIMUM WEAR DIAMETER

Webb Drum	MAX Diam
65545B	15.120
65546B	15.120
65547B	15.120
65548B	15.120
65549B	15.120
65550B	15.120
65551B	15.120
65554B	15.120
65555B	15.120
65565B	15.120
65600B	16.830
65600C	16.830
65650B	16.620
65651B	16.620
65654B	16.620
65670B	16.620
65710B	16.620
65735F	15.120
65739B	16.620
65753B	15.870
65757B	15.870
66096F	16.620
66250B	16.620
66250F	16.620
66251F	16.620
66283F	16.620
66350F	16.620
66353B	16.620
66353F	16.620
66364B	16.830
66366B	16.830
66374B	16.830
66626B	16.620
66660B	16.620
66661B	16.620
66663B	16.620
66665B	18.240
66669B	16.620
66800B	16.620
66800F	16.620
66807B	16.620
66808B	16.620
66809B	16.620
66811F	16.620
66812B	16.730
66812F	16.730
66814B	16.620

Webb Drum	MAX Diam
66814F	16.620
66815F	16.620
66816F	16.620
66817F	16.620
66822F	16.730
66826B	16.620
66827B	16.620
66830B	15.120
66834F	16.620
66843B	16.620
66852B	16.620
66852F	16.620
66853B	16.620
66854B	16.620
66854F	16.620
66855F	16.620
66857F	16.620
66862B	16.620
66862F	16.620
66864B20	16.620
66864F20	16.620
66865B	16.620
66866B	16.830
66867B	16.830
66871B	16.830
66873B	16.620
66873F	16.620
66875B	16.620
66875F	16.620
66878F	16.620
66878F	16.620
66883B	16.620
66883F	16.620
66884B	16.620
66884F	16.620
66886B	16.620
66888F	16.620
66890B	16.620
66892B	16.620
66892F	16.620
66893B	16.620
66893F	16.620
66895B	16.620
66896F	16.620
66899B	16.620
67205F	16.620
67518B	16.620

Webb Drum	MAX Diam
67518F	16.620
67537F	16.620
68012F	16.620
68013F	16.620
68036F	16.620
68730B	16.620
68730F	16.620
68731F	16.620
68732F	16.620
68733F	16.620
68734F	16.620
68760F	16.620
68765B	16.620
68765F	16.620
68844F	16.620
68845F	16.620
68846B	16.620
68848F	16.620
68882F	16.620
68887B	16.620
68891F	16.620
68897B	16.620
68897F	16.620
68903F	16.620
68918F	16.620
68921F	16.620
68927F	16.620
68931F	16.620
68940F	16.620
68942F	16.620
68946F	16.620
68958B	16.620
68958F	16.620
68970B	16.620
68981B	16.620
68985F	16.620
68986B	16.620
68988F	16.620
68989F	16.620
76864B	16.620
77528B	15.120
77805BW	16.620
77807BW	16.620
77808BW	16.620
77800BW	16.620
77854BW	16.620
77864BW	16.620



## SERVICE INFORMATION

To achieve maximum drum life and optimum performance, proper brake maintenance and brake balance are essential. Consult your truck or trailer manufacturer's maintenance manual for proper maintenance of the braking mechanism.

The following procedures are suggested as a means of obtaining maximum service and to determine the need for replacement.

**NOTICE: When replacing lining, brake drum or rotor on one end of the axle, replace the same components on the other end of the axle. This will maintain proper braking load on the axle.**

### A1. Inspection of Brake Drums or Rotors

When relining brakes, the brake drum or rotor should be cleaned and inspected. To be suitable for further service, the brake drum or rotor should pass the following checks:

- A. The brake surface should be free of scoring, excessive heat checks and free of cracks.
- B. The brake surface diameter should be within the maximum diameter cast or stamped on the drum or minimum thickness cast or stamped on the rotor.
- C. The mounting holes and pilot must be round and true.
- D. The mounting surface must be clean and flat.

**CAUTION: If any of the above conditions are not met, the brake drum or rotor should be replaced.**

### A2. Turning the Brake Surface

It may be desirable to turn or resurface the braking surface to remove small heat checks or other surface defects. The following should be noted when turning:

- A. When resurfacing a drum, allow at least 0.040 under the maximum diameter and on a rotor 0.040 over the minimum thickness for additional wear. For example, this usually means the drum may be turned a total of 0.080 over the brake surface diameter of a new brake drum.

Example:	New Drum Diameter	16.500
	Rebore Allowance	<u>0.080</u>
	Diameter after rebore limit is reached	16.580
	Wear Allowance	<u>0.040</u>
	Maximum Diameter	16.620

**WARNING: DO NOT TURN OR WEAR A BRAKE DRUM OR ROTOR BEYOND THE MAXIMUM DIAMETER OR MINIMUM THICKNESS STAMPED OR CAST ON THE BRAKE DRUM OR ROTOR.**

The maximum diameter or discard diameter is the maximum diameter to which the brake drum may be turned or worn, and still be usable. If any portion of the brake surface exceeds the maximum diameter it must be discarded. The maximum diameter cast into the back plate portions of the brake drum supersedes all published information.



## SERVICE INFORMATION

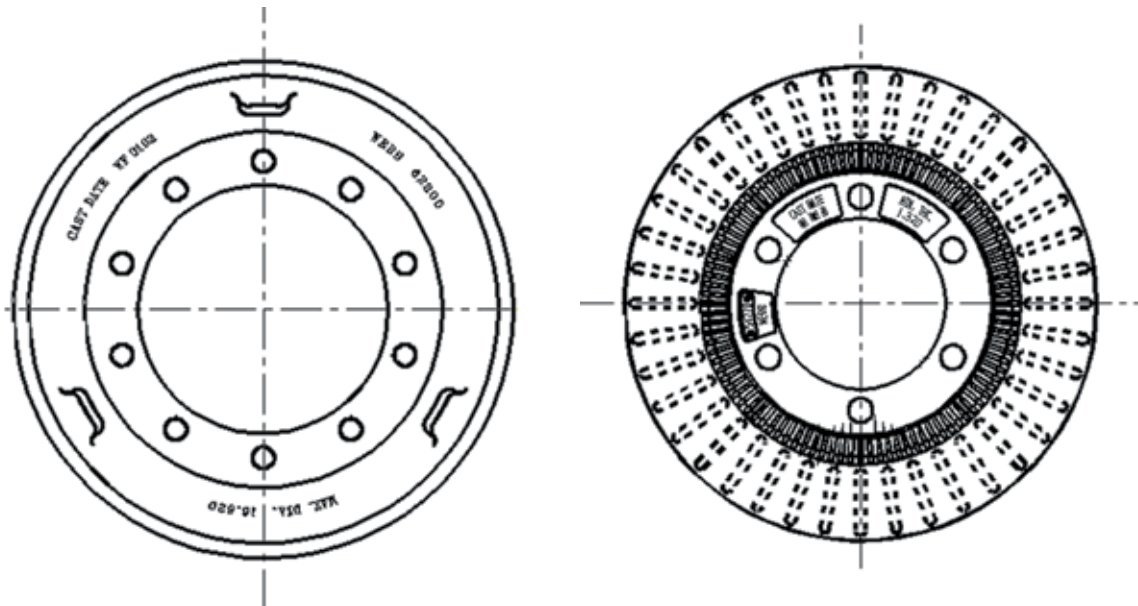
The minimum thickness cast into a rotor is the thickness at which the rotor should be discarded and is no longer suitable for service. If any portion of the rotor is thinner than the minimum thickness it must be discarded. The minimum thickness cast into the rotor supersedes all published information.

### BRAKE DRUM REBORE LIMITS AND/OR MAXIMUM WEAR DIAMETER

### ROTOR TURNING LIMITS AND/OR MINIMUM WEAR THICKNESS

This information is furnished to advise the importance of the rebores limits and/or maximum wear diameter as shown on our Webb brake drums and turning limits and/or minimum wear thickness on our Webb rotors. This dimension is cast or stamped on our brake drums as indicated on the drawing shown below. The dimension is the maximum safe diameter or thickness to which a drum or rotor may be turned, ground and/or worn. The marking of this dimension on brake drums and rotors is in accordance with Massachusetts Law # 904 Acts of 1968.

**CAUTION:** To insure product safety, it is critical that any brake drum or rotor reaching this dimension by turning, grinding and/or wearing be considered unsafe and immediately replaced. Any brake drum exceeding this dimension is considered a safety hazard and is not subject to warranty consideration.



### ADDITIONAL INFORMATION

The dimension shown on our brake drums and rotors is the current maximum diameter or minimum thickness and supersedes any previously published information.

### A3. Anti-Skid Holes

Due to the low usage of the anti-skid holes in brake drums, we will no longer drill holes in brake drums for anti-skid mounting as standard. When ordering drums from Webb for anti-skid mounting, use special drilling option code "A". The anti-skid holes will be furnished tapped 5/16"-18 and will use conventional cap screws.



## TROUBLE-SHOOTING INFORMATION

**Replacement of the brake drum is required if any of the following conditions exist:**

1. The brake drum is cracked.
2. The brake surface has heavy heat check.
3. The backing plate is cracked.
4. The bolt holes elongated.
5. The brake drum is out-of-round.
6. The brake surface is grooved or worn beyond the maximum diameter.
7. The brake drum is known to have been severely overheated.

**NOTICE: Brake drums should be replaced in pairs to achieve the same braking power on the axle.**

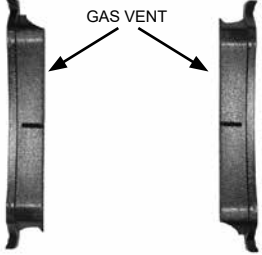
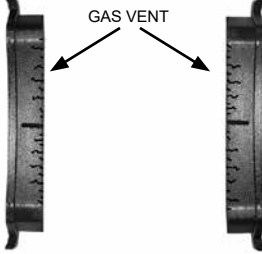




**Replacement of the rotor is required if any of the following conditions exist:**

1. The rotor is cracked.
2. The brake surface is heat checked, grooved or worn within the minimum thickness.
3. The back plate is cracked.
4. The bolt holes are elongated.
5. The rotor is known to have been severely overheated.
6. The rotor is out-of-round enough that turning would exceed rebore limit.




**NOTICE: Rotors should be replaced in pairs to achieve the same braking power on the axle.**

**TROUBLE-SHOOTING: DISC BRAKE PAD WEAR**

Note: The disc pads used with the rotor may indicate problems within your braking system. Shown below are examples of disc pads wear which may help you identify these problems.



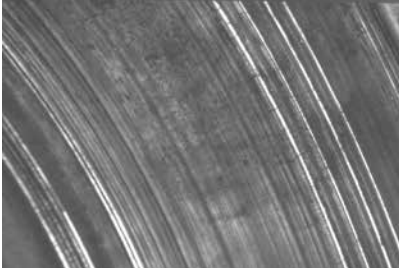
	Problem	Cause	Solution
	Chipped	Excessive heat buildup in brake system - caliper or caliper piston hanging up creating constant friction - rear brakes not functioning effectively causing disproportionate braking energy on the front disc pads.	Check rear brakes, replace caliper and caliper piston, replace pads and check rotor for damage. If damaged, replace rotor.
	Cracked	Excessive heat buildup in brake system - caliper or caliper piston hanging up creating constant friction - rear brakes not functioning effectively causing disproportionate braking energy on the front disc pads.	Check rear brakes, replace caliper and caliper piston, replace pads and check rotor for damage. If damaged, replace rotor.
	Grooved	Foreign material or debris imbedded in brake pads.	Rotors need to be turned (refaced) or replaced and replace pads.
	Stepped	Pads not installed correctly - pads not in full contact with the rotor.	Replace the guide pins, mounting bolts, bushing and caliper hardware. Replace pads and check rotor for damage. If damaged, replace rotor.
	Tapered	Worn out caliper bushings and/or worn out caliper hardware.	Replace caliper bushings and/or caliper hardware, replace pads, check rotor for damage. If damaged, replace rotor.
	Worn Beyond Use	Disc pads allowed to remain in service beyond normal safe limits of usage.	Replace pads and check rotor for damage. If damaged, replace rotor.

## TROUBLE-SHOOTING: BRAKE DRUM WEAR

Problem	Cause	Solution
<b>A. Cracked Brake Drums</b>		
<b>A1. New</b> NO PHOTO AVAILABLE	A1. Mishandling	A1. Replace brake drum
<b>A2. Used</b> 	A2. Heat checks connect together and grow through drum	A2. Replace brake drum. Check brake balance and brake system. See Heavy Heat Check.
<b>A3. Used, low mileage</b> NO PHOTO AVAILABLE	A3. Improper shoe contact.	A3. Replace brake drum. Shoes must contact the drum at the center of the shoe.
<b>B. Heat Check</b>		
<b>B1. Light</b> <b>Heat check is 1.5" or less in length.</b> Heat check is sporadic across the braking surface. No propagation. No crevices. 	B1. Normal condition	B1. Does not impair brake performance.
<b>B2. Medium</b> <b>Heat check is no longer than 3" in length.</b> Heat check is not apparent across the entire width of braking surface. Check is beginning to propagate. No crevices. 	B2. Imbalanced brake system, dragging brakes, improper drum for application, or driver abuse. It is caused by constant heating and cooling of brake surface.	B2. Check brake balance, brake return springs, brake adjustment, proper brake drum for application, and lining type within vehicle combination. Monitor brake drum and replace if heat checks grows beyond 3".



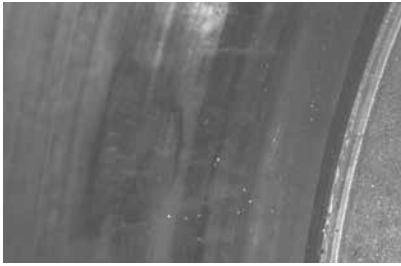


## TROUBLE-SHOOTING: BRAKE DRUM WEAR

Problem	Cause	Solution
<b>B. Heat Check (continued)</b>		
<p><b>B3. Heavy Heat check in excess of 3" in length.</b> High frequency of propagated heat check. Crevices appear in braking surface cracks.</p> 	<p><b>B3.</b> Imbalanced brake system, dragging brakes, improper drum for application, or driver abuse. It is caused by constant heating and cooling of brake surface.</p>	<p><b>B3.</b> Replace brake drum. Check brake balance, brake return springs, brake adjustment, proper brake drum for application, and lining type within vehicle combination.</p>
<p>NOTICE: These classifications are made based on the worst area of the brake drum that is affected by heat check. It does not need to be visible completely around the braking surface. <i>For example: If a drum has localized heavy heat check in an area that is approximately 6" across but the rest of the drum has no apparent heat check, the classification of this drum would be HEAVY.</i></p>		
<b>C. Grooving</b>		
<p><b>C1. Fine Grooving</b></p> 	<p><b>C1.</b> Abrasive material or poor quality brake lining.</p>	<p><b>C1.</b> Rebore brake drum within normal limits or replace the drum and lining. See (A2) Turning the Brake Surface.</p>
<p><b>C2. Grooves along edges of lining</b></p> 	<p><b>C2.</b> Grooves are usually caused by foreign material between the drum and lining. Deep grooves can cause a localized section of the drum braking surface to be worn beyond the wear out limit.</p>	<p><b>C2.</b> Replace brake drum if beyond worn out limit.</p>
<p><b>C3. Grooves coincide with rivet holes</b> NO PHOTO AVAILABLE</p>	<p><b>C3.</b> Loose rivets, bolts or foreign material collecting in rivet holes.</p>	<p><b>C3.</b> Replace brake drum if worn beyond worn out limit.</p>





## TROUBLE-SHOOTING: BRAKE DRUM WEAR

Problem	Cause	Solution	
<b>D. Blue or discolored brake surface</b>			
	Bluing is typically caused by excessive heat from dragging brakes or brake imbalance.	Brake system should be checked for balance and properly adjusted slacks. Replace brake drum if heavy heat check develops.	
<b>E. Scale on outside</b>			
	Excessive heat	Check brake balance, weak or broken return springs, brake adjustment and lining. Type within vehicle combination.	
<b>F. Heat Spotted or hard spots in brake surface</b>			
	Highly localized heating and cooling cycles typically caused by brake drag or torque imbalance. These dark colored spots are the result of martensite forming in the cast iron braking surface.	Replace brake drum	
<b>G. Out-of-Round</b>			
G1. NO PHOTO AVAILABLE	G1. Balance	G1. Balanced drum not specified or drum was improperly handled or installed.	G1. Specify balanced brake drums when ordering. Review proper handling and installation procedures.
G2. NO PHOTO AVAILABLE	G2. Variation in diameter	G2. Heat distortion.	G2. Rebore brake drum within normal limits or replace. See (A2) Turning the Brake Surface.
G3. NO PHOTO AVAILABLE	G3. Concentricity	G3. Improper fit to pilot or improper seating on wheel or hub.	G3. Clean all mounting surfaces. Check for correct fit and clearance to wheel.



## TROUBLE-SHOOTING: BRAKE DRUM WEAR

Problem	Cause	Solution
<b>H. Excessive Wear</b>		
NO PHOTO AVAILABLE	Abrasive material or poor quality lining	Check maximum diameter and rebore within limits or replace. See section covering Grooving.
<b>I. Grease Stained Drums</b>		
	Leaking oil seal; improper lubrication of brake components	Repair source of oil or grease leak; clean the brake drum and replace linings.
<b>J. Polished Brake Surface</b>		
<b>J1. Non-asbestos lining</b> NO PHOTO AVAILABLE	J1. Normal condition.	
<b>J2. Glazed surface</b> 	J2. Improperly cured brake lining	J2. Remove glaze with emery cloth or rebore drum within normal limits.
<b>K. Faded or diminished brake power</b>		
NO PHOTO AVAILABLE	High temperature in brake system, improperly adjusted brakes or inferior brake lining.	Check brake drum, brake lining condition, brake adjustment and brake balance. Avoid operation conditions or loads which create excessive brake temperature.
<b>L. Noise, chatter or pulsating during brake application</b>		
NO PHOTO AVAILABLE	Heat spotted drums, grease stained drums, loose brake drum, or brake components	The brake drums should be removed and checked for one or more of these conditions and the appropriate action taken to resolve the condition.

## TROUBLE-SHOOTING: COMMON BRAKE DRUM HANDLING/INSTALLATION CONCERNS

The majority of brake drums returned for warranty consideration are returned with complaints of cracks in the mounting flange or “out of round”; however, these two conditions are commonly caused during handling and installation of brake drums and NOT due to material/workmanship issues. Below is a summarized list of probable causes for both types of claims.

### Symptoms of drum mounting issues:

- A) Localized heat checking, blue/hard spots
- B) Vibration/shudder
- C) Loose wheels
- D) Indentations in mounting pilot on drum
- E) Crack(s) from pilot to mounting bolt hole(s) (see pictures below)

### Typical Crack on Mounting Flange of Brake Drums



### Reasons for cracked brake drums:

- A) Mating surfaces not clean**
  - 1. Debris in hub pilot radius
  - 2. Debris on drum/hub mounting flange surface
  - 3. Galvanic corrosion in aluminum hub pilot radius (see page 85)
- B) Improper installation**
  - 1. Drum not centered on hub pilots
  - 2. Drum allowed to slip off hub pilot (see picture)
- C) Drum being installed on hub with incorrect pilot diameter**
- D) Incorrect storage and/or handling**
  - 1. Dropped or roughly handled brake drum
  - 2. Storing drum on its side

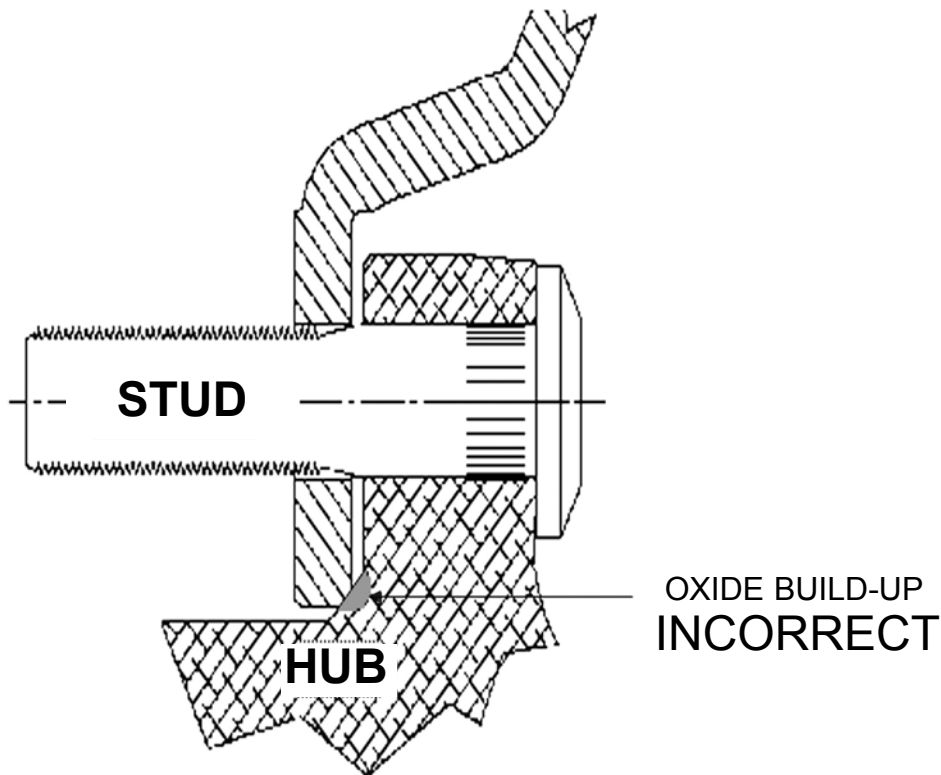




## TROUBLE-SHOOTING: CRACKED BRAKE DRUMS ON ALUMINUM HUBS

Corrosion can form on aluminum hubs at the brake drum pilot. This will look like a machined chamfer between the pilot diameter and the flange. This corrosion can crack the replacement brake drum and lead to complete brake drum failure.

This corrosion **MUST** be completely removed prior to installing the replacement brake drum. Remove this corrosion by chipping it with a tool, then clean with a wire brush. Be careful not to damage the aluminum hub when removing the corrosion.



**NOTE:** Although this information covers aluminum hubs, the same procedures should be followed on all hubs when brake drums are being replaced.

Failure to completely remove the corrosion will prevent the replacement brake drum from contacting the hub flange. When the wheel nuts are tightened, the brake drum can crack. If the crack is not detected, the brake drum can fail.

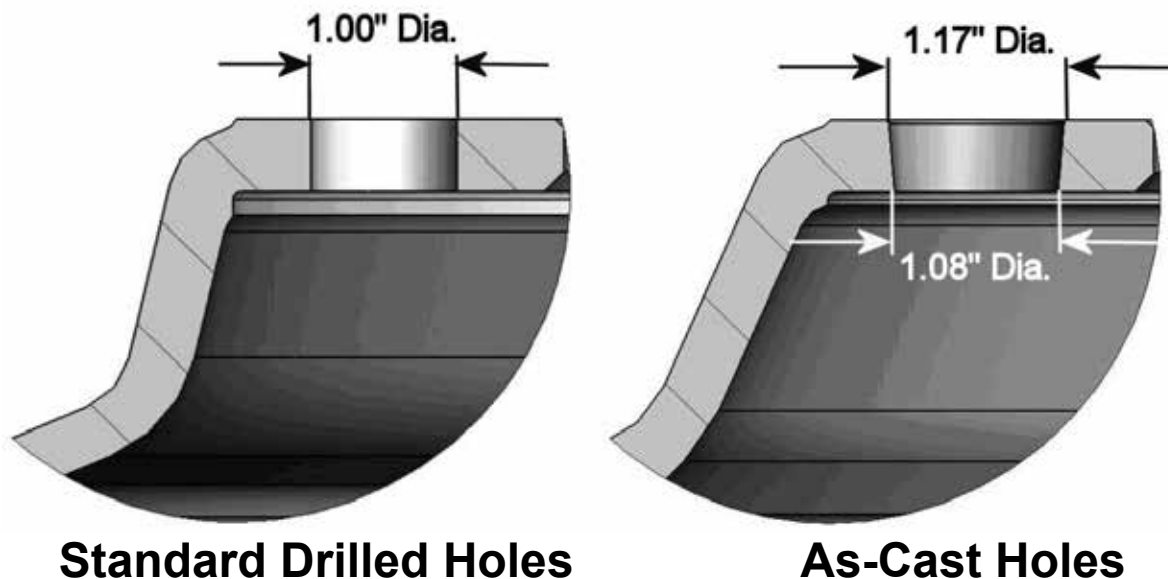
Additional information on proper installation and maintenance of brake drums can be found in our Installation and Maintenance Manual. Copies of this manual can be obtained at no charge by contacting Webb.

**TROUBLE-SHOOTING: CAST-IN VS. DRILLED BOLT HOLES**

Webb Wheel Products has recently added cast-in drum holes to a limited number of brake drum part numbers. Currently, the drilled bolt hole size for standard hub piloted applications is 1.0" while the as-cast bolt hole is approximately 1.17" in diameter.

The slightly larger bolt hole feature size does not affect the fit, form, or function of the brake drum and only serves as a clearance hole for the wheel stud. The brake drum is centered onto the hub using the 8.78" machined pilot and the bolt holes serve no piloting function at all. When wheel nuts are properly tightened, each wheel stud delivers approximately 20,000-40,000 pounds of tension into the bolted joint. The slightly larger hole size has no effect on the bolted joint's clamp load and will not allow the drum to move in the radial direction under braking or acceleration loading.

If you have any questions regarding cast-in wheel bolt holes, please feel free to call Webb's Technical Support department.





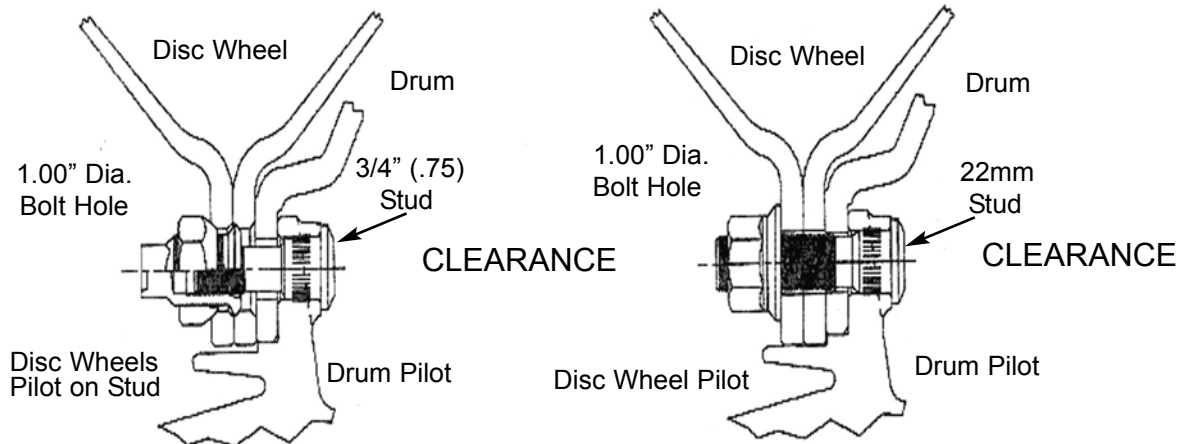
## BRAKE DRUM AND ROTOR SERVICE INFORMATION

### TROUBLE-SHOOTING: BRAKE DRUM BOLT (MOUNTING) HOLES SIZES

This information is offered to eliminate concern regarding the hole sizes furnished in Webb outboard mounted brake drums. These drums are those used in standard stud piloted or hub piloted disc wheel applications.

Webb has elected to use a larger hole diameter on selected brake drums to provide interchangeability across various applications and minimize the number of service part numbers necessary for aftermarket replacement. This has resulted in additional clearance being present when a larger hole is used in conjunction with a smaller diameter wheel stud.

#### EXAMPLE: 66884F BRAKE DRUM AS USED IN STUD PILOTED AND HUB PILOTED DISC WHEEL APPLICATIONS



This additional clearance, when noticed, has caused some to reach the misconception that the brake drum will not pilot properly or that there will not be sufficient surface area to achieve proper clamp load.

As indicated in the above drawings, the drum pilot on the drum mounting flange is the functional pilot which centers the brake drum relative to the axle centerline. The clearance between the stud and the stud hole **does not** affect piloting.

However, should you have any questions regarding this information, please feel free to contact our Sales or Engineering Department.

# OBSOLETE HUBS/SPOKE WHEELS



Webb Part Number	Replacement Info
025	No Replacement
275	No Replacement
313	No Replacement
320	Use 8520
322	Use 8522
400	Use 8520 (Not for 10" Brake)
422	Use 8522
550	Use 8520
555	Use 8522
625	No Replacement
900	No Replacement
960	No Replacement
1000	Use 1020 <sup>3</sup> or 2023 <sup>3</sup>
1002	Use 1001
1005	Use 2540/2542 (Call Tech Service prior to ordering)
1025	2545 Assy Only
1029	Use 1020
1031	No Replacement
1032	No Replacement
1052	Use 1051
1057	Use 1056
1082	No Replacement
1099	Use 4023 <sup>3</sup>
1220	Use 1221 <sup>3</sup>

Webb Part Number	Replacement Info
1222	Use 1221
1252	No Replacement
1256	No Replacement
1257	No Replacement
1300	Use 1320 <sup>3</sup>
1305	No Replacement
1327	Use 2343 <sup>3</sup>
1329	Use 2323
1332	Use 1331 <sup>3</sup>
1401	Use 2401 <sup>3</sup>
1411	Use 2401 <sup>3</sup>
1431	Use 2431 <sup>3</sup>
1432	Use 2431 <sup>3</sup>
1510	No Replacement
1520	Use 1521 <sup>3</sup> or 2520 <sup>3</sup>
1523	Use 1521 <sup>3</sup> or 2520 <sup>3</sup>
1528	Use 1521
1539	Use 1530 (Cast Drum) or 4530 (Alum) <sup>3</sup>
1609	No Replacement
1621	Use 2643 <sup>3</sup>
1622	Use 2643 <sup>3</sup>
1623	Use 2643 <sup>3</sup>
1699	No Replacement
1710	Use 1221 <sup>3</sup>

Webb Part Number	Replacement Info
1810	Use 1221 <sup>3</sup>
1820	No Replacement
1910	Use 1221 <sup>3</sup>
1923	Use 1521
1980	Use 1001 <sup>3</sup>
2020	Use 2023 <sup>3</sup>
2021	Use 4023 <sup>3</sup>
2024	No Replacement
2025	No Replacement
2029	No Replacement
2033	No Replacement
2091	Use 4023
2320	Use 2323 <sup>3</sup>
2321	Use 4343
2324	No Replacement
2329	No Replacement
2333	No Replacement
2341	Use 4343
2349	No Replacement
2391	Use 4343
2397	No Replacement
2398	Use 2348
2433	No Replacement
2510	No Replacement

<sup>3</sup>Assembly Only.



## OBSOLETE HUBS/SPOKE WHEELS

Webb Part Number	Replacement Info
2518	No Replacement
2521	Use 4520 Alum
2523	Use 2520
2528	Use 2526
2542	No Replacement
2543	No Replacement
2613	Use 2614
2617	No Replacement
2620	Use 2643 <sup>3</sup>
2621	Use 4643 <sup>3</sup>
2628	No Replacement
2629	No Replacement
2641	No Replacement
2648	No Replacement
2649	No Replacement
2672	Use 2653 (Non-ABS Only)
2691	Use 4643
2692	Use 4656
2699	No Replacement
3008	Use 3560
3012	No Replacement
3020	Use 3560
3022	Use 3562
3525	No Replacement

Webb Part Number	Replacement Info
3550	Use 3560
3620	Use 3560
3650	Use 3560
3660	Use 3560 (Non-ABS Only)
3901	No Replacement
5380	Use 5580
5382	Use 5682 - See Service Bulletin # 107
5520	No Replacement
5522	No Replacement
5582	Use 5682 - See Service Bulletin # 107
5680	Use 5580
5682	See Service Bulletin # 107
6313	No Replacement
6315	Use 1251 Call Tech Service prior to ordering
6316	Use 1251 Call Tech Service prior to ordering
6320	Use 8520
6321	Use 8520
6322	Use 8522
6323	Use 8522
6370	Use 7520
6375	No Replacement
6520	Use 8520
6522	Use 8522

Webb Part Number	Replacement Info
6580	Use 7520
6582	Use 7622
6715	Use 7015 (Svc Assy Only)
6716	Use 7015 (Svc Assy Only)
6720	Use 7520
6721	Use 7520
6722	Use 7622
6723	Use 7622
7000	Use 7015 <sup>3</sup>
7315	Use 7015
7320	Use 7520
7322	Use 7622
7510	Use 7520 (with 3350 Rim Clamp)
7511	No Replacement
7522	Use 7622
7620	Use 7520
8315	Use 1251 Call Tech Service prior to ordering
8320	Use 8520
8322	Use 8522
9562	No Replacement
9661	No Replacement
9662	No Replacement
9760	Use 2540 Call Tech Service prior ro ordering
9762	No Replacement

<sup>3</sup>Assembly Only.



# HUB SECTION AXLE GROUPS



Webb Axle Group	Outer Bearing		Inner Bearing	
	Cup	Cone	Cup	Cone
Group 1	HM212011	HM212049	653	663 OR 665A
Group 2	HM212011	HM212049	HM218210	HM218248
Group 4	HM518410	HM518445	HM518410	HM518445
Group 7	742	740	752	759
Group 11	3720	3782	HM212011	HM212047 OR HM212049 OR HM212049X
Group 12	552A	555S	6420	6461A
Group 14	25820	25877	JM207010	JM207049A
Group 21	572	580	592A	598A OR 594A
Group 22	39520	39590	47620	47686
Group 23	572	580	592A	598A OR 594A
Group 24	742	749	772	782
Group 26	JLM506810	JLM506849	39520	39590
Group 27	25820	25877	JM207010	JM207049A
Group 28	39520	39585	33462	33287
Group 29	3920	3982	33462	33287



## HUB SECTION

Axle Group	Base Hub and Description							
	Options Available	Mount Type	Disc Wheel	Drum Type	Wheel Stud	Stud Standout	ABS Ring	Drums Available
2	<b>1001</b>							
	10019--N	BSN	N/A				ABS Not Available	64467F, 62200F, 68981F, 67205F
	10019--ML	BSN	Steel/Alum (D)	IB	139913	1.33		
	10019--MR	BSN	Steel/Alum (D)	IB	139902	1.33		
2	<b>1006</b>							
	10069--NT	BSN	N/A				51554	64468F, 66096F, 62200F
2	<b>1020</b>							
	10209--NT	BSN	N/A				51554	61571F, 66853B, 66893F, 66815F, 66812F
	10209--MLT	BSN	Steel/Alum (D)	OB	159183	1.36		
	10209--MRT	BSN	Steel/Alum (D)	OB	159184	1.36		
2	<b>1051</b>							
	10519--NT80	BSN	N/A				51558 <sup>1</sup>	63630F, 63631F
	10519--MLT80	BSN	Steel/Alum (D)	IB	139913	1.33		
	10519--MRT80	BSN	Steel/Alum (D)	IB	139902	1.33		
2	<b>1056</b>							
	10569--NT80	BSN	N/A				51558 <sup>1</sup>	63634F, 63635F
	10569--MLT80	BSN	Steel/Alum (D)	IB	139913	1.33		
	10569--MRT80	BSN	Steel/Alum (D)	IB	139902	1.33		
1	<b>1221</b>							
	12213--N	BSN	N/A				ABS Not Available	64467F, 62200F, 68891F, 67205F
	12213--ML	BSN	Steel/Alum (D)	IB	139913	1.33		
	12213--MR	BSN	Steel/Alum (D)	IB	139902	1.33		
1	<b>1251</b>							
	12513--ML	BSN	Steel (D)	IB	139913	1.33	51558	63630F, 63631F
	12513--MR	BSN	Steel (D)	IB	139902	1.33		
4	<b>1320</b>							
	1320Z--NT	BSN	N/A				51554 <sup>1</sup>	61571F, 66853B, 66893F, 66815F, 66812F
	1320Z--MLT	BSN	Steel/Alum (D)	OB	159183	1.86		
	1320Z--MRT	BSN	Steel/Alum (D)	OB	159184	1.86		
4	<b>1331</b>							
	1331Z--NT	BSN	N/A				51554	68730F, 68927F
11	<b>1521</b>							
	1521F--NT	BSN	N/A				51053	65541B, 65551B, 65651B, 65167B, 65169B
	1521F--PLT	BSN	Steel/Alum (D)	OB	100181	2.50		
	1521F--PRT	BSN	Steel/Alum (D)	OB	100170	2.50		

**Coding:**

BSN=Ball Seat Mount FN=Pilot Mount (D)=Dual (S)=Single IB=Inboard OB=Outboard N/A=Not Applicable

\*\*Will become obsolete when current inventory is depleted. Call for availability - if purchased, parts are non-returnable.

<sup>1</sup> Hub has been offered as either direct machined ABS or machined for ABS ring. A hub with direct machined ABS will not accept an ABS ring. Before ordering a replacement ABS ring, ensure that your hub was machined to accept one.



HUB SECTION								
Axle Group	Base Hub and Description							
	Options Available	Mount Type	Disc Wheel	Drum Type	Wheel Stud	Stud Standout	ABS Ring	Drums Available
12	<b>1530</b>							
	1530G--NT	BSN	N/A			51048	65166B, 66862B	
	1530G--PLT	BSN	Steel/Alum (S)	OB	100181			2.37
	1530G--PRT	BSN	Steel/Alum (s)	OB	100170			2.37
2	<b>1540</b>							
	15401--NT	BSN	N/A			51048	65551B, 65157B, 65651B, 65167B, 65169B	
	15401--PL	BSN	Steel/Alum (S)	OB	100181			2.37
	15401--PR	BSN	Steel/Alum (S)	OB	100170			2.37
14	<b>1550</b>							
	15501--N	BSN	N/A			N/A	54770P-65	
	15501--ML	BSN	Steel/Alum (S)	Rotor	159191			1.38
	15501--MR	BSN	Steel/Alum (S)		159190			1.38
2	<b>2023</b>							
	20231--0T	BSN or FN	N/A			51554 <sup>1</sup>	61577F, 68985F, 66800F, 66864F, 66884F, 66814F, 66854F, 66871B	
	20231--3T	FN	Steel (D)	OB	101162			3.03
	20231--5T	FN	Aluminum (D)	OB	101160			3.94
	20231--MLT	BSN	Steel/Alum (D)	OB	101177			1.88
	20231--MRT	BSN	Steel/Alum (D)	OB	101176			1.88
<b>2027</b>								
2	20271--0T80	FN	N/A			51558 <sup>1</sup>	63680F	
	20271--3T80	FN	Steel (D)	OB	101162			3.03
	20271--5T80	FN	Aluminum (D)	OB	101160			3.94
2	<b>2028</b>							
	20281--0T	FN	N/A			51554 <sup>1</sup>	61576F, 61989F, 61999F 66875F, 66816F	
	20281--3T	FN	Steel (D)	OB	101162			3.03
	20281--5T	FN	Aluminum (D)	OB	101160			3.94
<b>2323 (Threaded Hub Cap)</b>								
4	23231--0T	BSN or FN	N/A			51554 <sup>1</sup>	61577F, 68985F, 66800F, 66864F, 66884F, 66814F, 66854F, 66871B	
	23231--3T	FN	Steel (D)	OB	101162			3.03
	23231--5T	FN	Aluminum (D)	OB	101160			3.94
	23231--MLT	BSN	Steel/Alum (D)	OB	101173			1.88
	23231--MRT	BSN	Steel/Alum (D)	OB	101172			1.88
	Coding: BSN=Ball Seat Mount FN=Pilot Mount (D)=Dual (S)=Single IB=Inboard OB=Outboard N/A=Not Applicable **Will become obsolete when current inventory is depleted. Call for availability - if purchased, parts are non-returnable. <sup>1</sup> Hub has been offered as either direct machined ABS or machined for ABS ring. A hub with direct machined ABS will not accept an ABS ring. Before ordering a replacement ABS ring, ensure that your hub was machined to accept one.							



## HUB SECTION

Axle Group	Base Hub and Description							
	Options Available	Mount Type	Disc Wheel	Drum Type	Wheel Stud	Stud Standout	ABS Ring	Drums Available
<b>2343 (Bolt On Hub Cap)</b>								
4	23431--0T	BSN or FN	N/A				51554 <sup>1</sup>	61577F, 68985F, 66800F, 66864F, 66884F, 66814F, 66854F, 66871B
	23431--3T	FN	Steel (D)	OB	101162	3.03		
	23431--5T	FN	Aluminum (D)	OB	101160	3.94		
	23431--MLT	BSN	Steel/Alum (D)	OB	101171	1.88		
	23431--MRT	BSN	Steel/Alum (D)	OB	101170	1.88		
<b>2347</b>								
4	23471--0T80	FN	N/A				51558 <sup>1</sup>	63680F
	23471--3T80	FN	Steel (D)	OB	101162	3.21		
	23471--5T80	FN	Aluminum (D)	OB	101160	4.12		
<b>2348</b>								
4	23481--0T	FN	N/A				51554 <sup>1</sup>	66875F, 66816F, 68797F
	23481--3T	FN	Steel (D)	OB	101162	3.21		
	23481--5T	FN	Aluminum (D)	OB	101160	4.12		
<b>2401</b>								
7	24011--0T	BSN or FN	N/A				50704	66884F, 66661F, 66800F, 66814F, 66854F, 66871B
	24011--3T	FN	Steel (D)	OB	101162	3.03		
	24011--5T	FN	Aluminum (D)	OB	101160	3.94		
	24011--MLT	BSN	Steel/Alum (D)	OB	101173	1.88		
	24011--MRT	BSN	Steel/Alum (D)	OB	101172	1.88		
<b>2520</b>								
11	25201--0T	BSN or FN	N/A				51053	65545B, 65153B, 61950B, 65163B, 65179B
	25201--1T	FN	Steel (S)	OB	101164	2.74		
	25201--3T	FN	Aluminum (S)	OB	101162	3.19		
	25201--PLT	BSN	Steel/Alum (S)	OB	101175	2.24		
	25201--PRT	BSN	Steel/Alum (S)	OB	101174	2.24		
<b>2524</b>								
11	25241--0T	BSN	N/A				51053	65548B, 65154B, 65182B, 65172B
	25241--PLT	BSN	Steel/Alum (S)	OB	100181	2.65		
	25241--PRT	BSN	Steel/Alum (S)	OB	100170	2.65		
<b>2526</b>								
11	25261--0T	FN	N/A				51053	65543B, 61958B
	25261--1T	FN	Steel (S)	OB	101164	2.76		
	25261--3T	FN	Aluminum (S)	OB	101162	3.21		

**Coding:**

BSN=Ball Seat Mount FN=Pilot Mount (D)=Dual (S)=Single IB=Inboard OB=Outboard N/A=Not Applicable

\*\*Will become obsolete when current inventory is depleted. Call for availability - if purchased, parts are non-returnable.

<sup>1</sup> Hub has been offered as either direct machined ABS or machined for ABS ring. A hub with direct machined ABS will not accept an ABS ring. Before ordering a replacement ABS ring, ensure that your hub was machined to accept one.



HUB SECTION								
Axle Group	Base Hub and Description							
	Options Available	Mount Type	Disc Wheel	Drum Type	Wheel Stud	Stud Standout	ABS Ring	Drums Available
12	<b>2530</b>							
	25301--0	BSN or FN	N/A			51048	65545B, 65162B, 65170B, 66826B, 66864B	
	25301--0T	BSN or FN	N/A					
	25301--1T	FN	Steel (S)	OB	101164			2.58
	25301--3T	FN	Aluminum (S)	OB	101162			3.03
	25301--PLT	BSN	Steel (S)	OB	101175			2.24
25301--PRT	BSN	Steel (S)	OB	101174	2.24			
12	<b>2533</b>							
	25331--0T	FN	N/A			51048	66366B, 66663B	
	25331--1T	FN	Steel (S)	OB	101164			2.58
25331--3T	FN	Aluminum (S)	OB	101162	3.03			
2	<b>2540</b>							
	25401--0	BSN or FN	N/A			51048	65654B, 65162B, 65170B, 66864B	
	25401--0T	BSN or FN	N/A					
	25401--1T	FN	Steel (S)	OB	101164			2.58
	25401--3T	FN	Aluminum (S)	OB	101162			3.03
	25401--PLT	BSN	Steel (S)	OB	101175			2.24
25401--PRT	BSN	Steel (S)	OB	101174	2.24			
14	<b>2550</b>							
	25501--0	FN	N/A			N/A	54770P-65	
25501--3	FN	Aluminum (S)	Rotor	101191	2.11			
26	<b>2605</b>							
	26051--0	FN	N/A			N/A	54770P-65	
	26051--3	FN	Steel (D)	Rotor	101162			2.90
26051--5	FN	Aluminum (D)		101160	3.81			
28	<b>2606</b>							
	26061--0	FN	N/A			N/A	54770P-65	
	26061--3	FN	Steel (D)	Rotor	101162			2.90
26061--5	FN	Aluminum (D)		101160	3.81			
29	<b>2608</b>							
	26081--0T	FN	N/A			Direct Machined ABS 51296 <sup>1</sup>	66830B, 61989B	
	26081--3T	FN	Steel (D)	OB	101162			2.90
26081--5T	FN	Aluminum (D)	OB	101160	3.81			

**Coding:**

BSN=Ball Seat Mount FN=Pilot Mount (D)=Dual (S)=Single IB=Inboard OB=Outboard N/A=Not Applicable

\*\*Will become obsolete when current inventory is depleted. Call for availability - if purchased, parts are non-returnable.

<sup>1</sup> Hub has been offered as either direct machined ABS or machined for ABS ring. A hub with direct machined ABS will not accept an ABS ring. Before ordering a replacement ABS ring, ensure that your hub was machined to accept one.



## HUB SECTION

Axle Group	Base Hub and Description							
	Options Available	Mount Type	Disc Wheel	Drum Type	Wheel Stud	Stud Standout	ABS Ring	Drums Available
22	<b>2614</b>							
	26141--0T	BSN or FN	N/A			51048	61577B, 61988B, 61991B, 66864B, 66884B, 66800B, 66814B, 66854B	
	26141--3T	FN	Steel (D)	OB	101162			3.03
	26141--5T	FN	Aluminum (D)	OB	101160			3.94
	26141--MLT	BSN	Steel/Alum (D)	OB	101173			1.88
	26141--MRT	BSN	Steel/Alum (D)	OB	101172			1.88
22	<b>2618</b>							
	26181--0T	FN	N/A			51048	61567B, 61989B, 66875B	
	26181--3T	FN	Steel (D)	OB	101162			3.21
	26181--5T	FN	Aluminum (D)	OB	101160			4.12
23	<b>2633</b>							
	26331--0T	FN	N/A			51294	66250B, 64053B, 66258B	
	26331--3T	FN	Steel (D)	OB	101162			3.03
	26331--5T	FN	Aluminum (D)	OB	101160			3.94
21	<b>2635</b>							
	26351--0T	FN	N/A			51294	66250B, 64053B, 66258B	
	26351--3T	FN	Steel (D)	OB	101162			3.03
	26351--5T	FN	Aluminum (D)	OB	101160			3.94
23	<b>2636</b>							
	26361--0T	FN	N/A			51294	66250B, 64053B, 66258B	
	26361--3T	FN	Steel (D)	OB	101162			3.03
	26361--5T	FN	Aluminum (D)	OB	101160			3.94
21	<b>2643</b>							
	26431--0T	BSN or FN	N/A			51294 <sup>1</sup>	61577B, 61988B, 61991B, 66661B, 66864B, 66884B, 66800B, 66814B, 66854B, 66871B	
	26431--3T	FN	Steel (D)	OB	101162			3.15
	26431--5T	FN	Aluminum (D)	OB	101160			4.06
	26431--MLT	BSN	Steel/Alum (D)	OB	101177			1.94
	26431--MRT	BSN	Steel/Alum (D)	OB	101176			1.94
23	<b>2653</b>							
	26531--0T	BSN or FN	N/A			51294 <sup>1</sup>	61577B, 61988B, 61991B, 66661B, 66864B, 66884B, 66800B, 66814B, 66854B, 66871B	
	26531--3T	FN	Steel (D)	OB	101162			3.03
	26531--5T	FN	Aluminum (D)	OB	101160			3.94
	26531--MLT	BSN	Steel/Alum (D)	OB	101173			1.88
	26531--MRT	BSN	Steel/Alum (D)	OB	101172			1.88

**Coding:**

BSN=Ball Seat Mount FN=Pilot Mount (D)=Dual (S)=Single IB=Inboard OB=Outboard N/A=Not Applicable

\*\*Will become obsolete when current inventory is depleted. Call for availability - if purchased, parts are non-returnable.

<sup>1</sup> Hub has been offered as either direct machined ABS or machined for ABS ring. A hub with direct machined ABS will not accept an ABS ring. Before ordering a replacement ABS ring, ensure that your hub was machined to accept one.



HUB SECTION								
Axle Group	Base Hub and Description							
	Options Available	Mount Type	Disc Wheel	Drum Type	Wheel Stud	Stud Standout	ABS Ring	Drums Available
23	<b>2656</b>							
	26561--0T	BSN or FN	N/A			51294 <sup>1</sup>	61577B, 61988B, 61991B, 66661B, 66864B, 66884B, 66800B, 66814B, 66854B, 66871B	
	26561--3T	FN	Steel (D)	OB	101162			3.03
	26561--5T	FN	Aluminum (D)	OB	101160			3.94
	26561--MLT	BSN	Steel/Alum (D)	OB	101173			1.88
26561--MRT	BSN	Steel/Alum (D)	OB	101172	1.88			
24	<b>2723</b>							
	27231--3T	FN	Steel (D)	OB	101162	3.03	51056	66661B, 66800B, 66814B, 66854B, 66871B, 66665B
	27231--5T	FN	Aluminum (D)	OB	101160	3.94		
	27231--MLT	BSN	Steel/Alum (D)	OB	101173	1.88		
27231--MRT	BSN	Steel/Alum (D)	OB	101172	1.88			
	<b>2760</b>							
	27601--NT-71	FN	N/A			51825		

Coding:

BSN=Ball Seat Mount FN=Pilot Mount (D)=Dual (S)=Single IB=Inboard OB=Outboard N/A=Not Applicable

\*\*\*Will become obsolete when current inventory is depleted. Call for availability - if purchased, parts are non-returnable.

<sup>1</sup> Hub has been offered as either direct machined ABS or machined for ABS ring. A hub with direct machined ABS will not accept an ABS ring. Before ordering a replacement ABS ring, ensure that your hub was machined to accept one.

ALUMINUM HUB SECTION								
Axle Group	Base Hub and Description							
	Options Available	Mount Type	Disc Wheel	Drum Type	Wheel Stud	Stud Standout	ABS Ring	Drums Available
2	<b>4023</b>							
	40235--3T-71**	FN	Steel (D)	OB	101162	3.03	51554	61577F, 68985F, 66800F, 66864F, 66884F, 66814F, 6854F, 66871B
40235--5T-71**	FN	Aluminum (D)	OB	101160	3.94			
4	<b>4343</b>							
	43435--3T-71**	FN	Steel (D)	OB	101162	2.90	51554	61577F, 68985F, 66800F, 66864F, 66884F, 66814F, 66854F, 66871B
43435--5T-71**	FN	Aluminum (D)	OB	101160	3.81			
21	<b>4643</b>							
	46435--3T-71**	FN	Steel (D)	OB	101199	3.06	51294	61577B, 61988B, 61991B, 66661B, 66864B, 66884B, 66800B, 66814B, 66854B, 66871B
46435--5T-71**	FN	Aluminum (D)	OB	101198	4.02			

Coding:

BSN=Ball Seat Mount FN=Pilot Mount (D)=Dual (S)=Single IB=Inboard OB=Outboard N/A=Not Applicable

\*\*\*Will become obsolete when current inventory is depleted. Call for availability - if purchased, parts are non-returnable. Ductile hubs available for replacement



## SPOKE WHEEL SECTION

Axle Group	Base Spoke Wheel and Description							
	Options Available	Mount Type	Disc Wheel	Drum Type	Wheel Stud	Stud Standout	ABS Ring	Drums Available
21	<b>3560</b>							
	35607--AT 35607--HT	Spoke	Demountable Rim	IB	N/A	N/A	51294	61600B**, 68981B
21	<b>3562**</b>							
	35627--A** 35627--HT**	Spoke	Demountable Rim	IB	N/A	N/A	51294	61600B**, 68981B, 61853B
4	<b>5580</b>							
	5580Z--AT 5580Z--HT	Spoke	Demountable Rim	IB	N/A	N/A	51554	68730F, 68927F
4	<b>5682**</b>							
	5682Z--A** 5682Z--HT**	Spoke	Demountable Rim	IB	N/A	N/A	51554	68765F, 68931F
2	<b>7015</b>							
	70159--AT 70159--HT	Spoke	Demountable Rim	IB	N/A	N/A	51558	62358F, 63617F, 63647F
2	<b>7520</b>							
	75209--AT 75209--HT	Spoke	Demountable Rim	IB	N/A	N/A	51554	63447F, 67518F, 68946F, 63410F
2	<b>7622</b>							
	76229--AT 76229--HT	Spoke	Demountable Rim	IB	N/A	N/A	51554	63447F, 67518F, 68946F, 63410F
1	<b>8520</b>							
	85203--A	Spoke	Demountable Rim	IB	N/A	N/A	N/A	63447F, 67518F, 68946F, 63410F
1	<b>8522**</b>							
	85223--A**	Spoke	Demountable Rim	IB	N/A	N/A	N/A	63447F, 67518F, 68946F, 63410F
12	<b>9660**</b>							
	9660G--HT**	Spoke	Demountable Rim	IB	N/A	N/A	51048	65256B, 68970B, 65266B

**Coding:**

BSN=Ball Seat Mount FN=Pilot Mount (D)=Dual (S)=Single IB=Inboard OB=Outboard N/A=Not Applicable

\*\*Will become obsolete when current inventory is depleted. Call for availability - if purchased, parts are non-returnable.



## COMPONENTS

### Hub Cap Kits

	Hub Cap Kit Part Number	Hub Cap Kit Contents (See Individual Part Number Listings for Individual Specifications)			
		Hub Cap	Gasket	Cap Screw	Washer
	73655 (5.5 Bolt Circle 6 Holes)	70655	72655	83150	103

### Drum Bolt Kits

Drum Bolt Kit Part Number	Drum Bolt Kit Contents (See Individual Part Number Listings for Individual Specifications)					
	Cap Screw	Qty	Flat Washer	Qty	Lock Nut	Qty
90305	87521	5	257	5	75710	5
90306	87521	6	257	6	75710	6
90320	86222	6	256	6	75618	6

### Rim Clamps

	Part Number	(A) Dim	(B) Dim	(C) Dim	(D) Stud Dim	(E) Dim
	<b>For 3 Spoke Wheels (Clamps For 15" Wheels)</b>					
	3314	1.13	7.62	1.82	0.75	4.50
	<b>For 5 &amp; 6 Spoke Wheels (Single Tire Applications)</b>					
	3350	5.77	3.31	2.15	0.75	
	<b>For 5 &amp; 6 Spoke Wheels</b>					
	16123	1.01	2.88	2.38	0.75	
	16129	1.27	2.88	2.41	0.75	



## COMPONENTS

### Rim Clamps (Continued)

	Part Number	(A) Dim	(B) Dim	(C) Dim	(D) Stud Dim
	<b>For Single Tire Spoke Wheels</b>				
	16177 For 8.0 Max Rims	0.40	2.63	2.72	0.75

### Studs

	<b>Drive Studs</b>					
	Part Number	(A)	Nut End		Wheel/Hub End	
			Thread	(B) Thread Length	Thread	(C) Thread Length
	152030	3.00	1/2"-20	1.00	1/2"-13	1.00
	156226	2.62	9/16"-18	1.12	9/16"-12	0.81
161832	3.50	5/8"-18	1.34	5/8"-11	1.00	
175032	3.25	3/4"-16	1.25	3/4"-10	1.12	
	<b>Rim Studs</b>					
	Part Number	(A)	(B) Nut End	(C) Wheel End	Thread	
	171027	3.00	1.83	0.97	3/4"-10	
171028	3.31	1.93	0.97	3/4"-10		

	<b>Shoulder Studs</b>									
	Part Number	Color	(A)	(B)	(C)	(D)	(E)	(F)	(G) Thread	(H) Thread
	139902 (RH)	Black	4.00	0.78	2.47	1.06	1.34	1.08	3/4"-16	3/4"-16
	139913 (LH)	Green	4.00	0.78	2.47	1.06	1.34	1.08	3/4"-16	3/4"-16
183101 (LH)**	Green	4.88	0.78	3.34	1.88	1.35	1.09	3/4"-16	3/4"-16	

# COMPONENTS

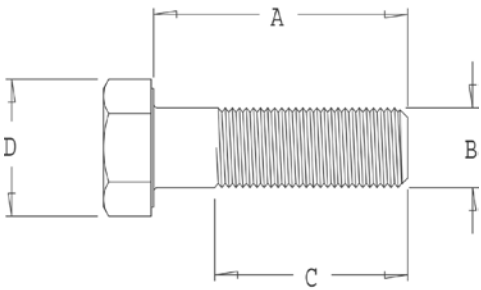
## Studs (Continued)

	Part Number	Color	(A)	(B)	(C)	(D)	(E)	(F) Thread
	<b>3/4" - 16 Serrated Studs</b>							
	101170 (RH)	Silver	2.60	0.97	0.81	0.25	1.12	3/4"-16
	101171 (LH)	Yellow	2.60	0.97	0.81	0.25	1.12	3/4"-16
	101172 (RH)	Black	2.91	0.97	0.81	0.25	1.12	3/4"-16
	101173 (LH)	Green	2.91	0.97	0.81	0.25	1.12	3/4"-16
	101174 (RH)	Silver	3.21	0.97	0.81	0.25	1.61	3/4"-16
	101175 (LH)	Yellow	3.21	0.97	0.81	0.25	1.61	3/4"-16
	101178 (RH)	Black	3.35	0.97	0.81	0.25	1.87	3/4"-16
	101179 (LH)	Green	3.35	0.97	0.81	0.25	1.87	3/4"-16
	159183 (LH)	Green	2.96	0.78	1.40	0.56	1.06	3/4"-16
	159184 (RH)	Black	2.96	0.78	1.40	0.56	1.06	3/4"-16
	159190 (RH)	Black	2.38	0.78	0.88	0.25	1.06	3/4"-16
	159191 (LH)	Green	2.38	0.78	0.88	0.25	1.06	3/4"-16
	198521 (LH)**	Yellow	2.72	0.78	1.38	0.31	1.03	3/4"-16
<b>1 1/8" - 16 Serrated Studs</b>								
	100170 (RH)	Silver	3.62	1.22	1.44	0.25	1.87	1 1/8"-16
	100181 (LH)	Yellow	3.62	1.22	1.44	0.25	1.87	1 1/8"-16
	188108 (RH)	Silver	3.10	1.22	0.75	0.12	2.10	1 1/8"-16
	188109 (LH)	Yellow	3.10	1.22	0.75	0.12	2.10	1 1/8"-16
<b>M22x1.5 Serrated Studs</b>								
	101160 (RH)	Black	4.91	0.97	0.72	0.25	3.54	M22x1.5
	101161 (RH)	Black	4.32	0.97	0.72	0.25	3.07	M22x1.5
	101162 (RH)	Black	4.00	0.97	0.53	0.25	2.69	M22x1.5
	101164 (RH)	Black	3.55	0.97	0.53	0.25	2.30	M22x1.5
	101191 (RH)	Black	2.90	0.97	0.72	0.25	1.65	M22x1.5
	101193 (RH)	Black	3.19	0.97	0.53	0.25	1.94	M22x1.5
	101199 (RH)	Black	4.59	0.97	0.53	0.25	3.34	M22x1.5

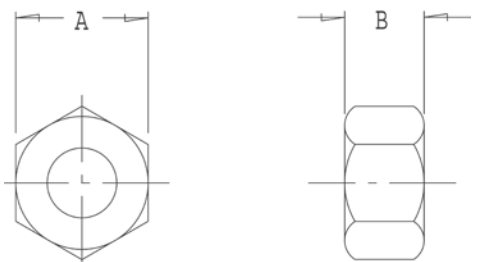


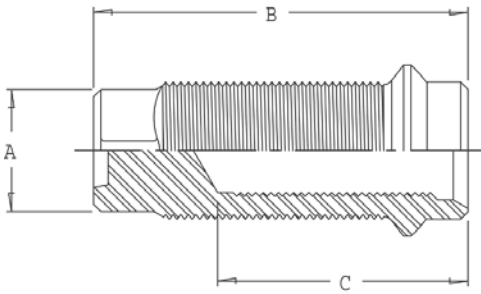
## COMPONENTS

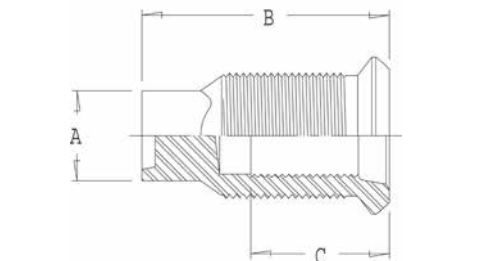
### Cap Screws

	Cap Screws				
	Part Number	(A)	(B)	(C)	(D) Across Flats
	83150	0.50	5/16"-18	0.50	0.50
	83750	0.75	3/8"-16	0.75	0.56
	85612	1.75	9/16"-12	1.45	0.81
	86222	2.00	5/8"-18	1.50	0.94
	87511 (Has Adhesive Patch)	2.25	3/4"-10	1.75	1.12
	87521	2.25	3/4"-10	1.75	1.12
	96218 (Has Adhesive Patch)	1.75	5/8"-18	1.50	0.94

### Nuts

	Rim Clamp Nuts			
	Part Number	(A) Thread	(B) Hex	(C) Height
	74710 (Flat Face)	3/4"-10	1.25	0.73

	Inner Cap Nuts (Grade 8 for Aluminum Wheels)					
	Part Number	Inner Thread	Outer Thread	(A) Square	(B) Length	(C) Inner Thread Depth
	105988 (RH)	3/4"-16	1 1/8"-16	0.81	3.06	1.88
	105989 (LH)	3/4"-16	1 1/8"-16	0.81	3.06	1.88

	Inner Cap Nuts (Grade 8 for Steel Wheels)					
	Part Number	Inner Thread	Outer Thread	(A) Square	(B) Length	(C) Inner Thread Depth
	107082 (RH)	3/4"-16	1 1/8"-16	0.81	2.24	1.25
	107083 (LH)	3/4"-16	1 1/8"-16	0.81	2.24	1.25

# COMPONENTS

<b>Nuts (Continued)</b>						
		Part Number	Thread Size	(A) Hex	(B) Height	Notes
		<b>Outer Cap Nuts</b>				
		178736 (RH)	3/4"-16	1.50	0.88	Standard Single Wheel Nut
		178737 (LH)	3/4"-16	1.50	0.88	
		178910 (RH)	1 1/8"-16	1.50	0.88	For Dual or Single Wheels
		178921 (LH)	1 1/8"-16	1.50	0.88	
<b>Lock Nuts</b>						
		75618	5/8"-18	0.94	0.62	
		75710	3/4"-10	1.12	0.72	
		75716	3/4"-16	1.12	0.65	
<b>Flange Nuts</b>						
		179935	M22x1.5	1.30	1.22	
<b>Oil Plug</b>						
		72518	1/4"-18 NPTF Hex Socket Long Steel Plug			
		72520	9/16"-18 UNF-ZA Hex Socket O-Ring Boss Plug			

<b>Washers</b>						
		Part Number	(A) O.D.	(B) I.D.	(C) Thickness	
		<b>Lock Washers</b>				
		103	0.59	0.32	0.08	
		<b>Flat Washers</b>				
		256	1.31	0.66	0.09	
257	1.38	0.81	0.09			
259	2.26	1.26	0.13			



## COMPONENTS

### Rim Spacers



#### Rim Spacers (Cor-Chan Type)

Part Number	Size
41540	15.00 x 4.00
42040	20.00 x 4.00
42240	22.00 x 4.00



## LIMITED WARRANTY

Webb Wheel Products, Inc. (Seller) hereby warrants to the original purchaser of its products, that it will replace or repair, at its option, all products of its manufacture found to be defective in material and workmanship, without charge. This shall be Buyer's exclusive remedy for Seller's liability hereunder.

This warranty is limited to those products which fail in normal use and service because of defects in material and workmanship, with all such products being subject to inspection of material and workmanship by an authorized representative of Seller, within a reasonable period after a claim is made. Seller will not accept the return of any goods without its prior written consent.

Seller's liability to Buyer, or anyone claiming through or on behalf of Buyer, with respect to any claim or loss arising out of the products or alleged to have resulted from actual act or omission of Seller, whether negligent or otherwise, and whether in tort, contract, or otherwise, including failure to deliver, delay in delivery, or breach of warranty, shall be limited to an amount equal to the purchase price of the goods or part thereof with respect to which such liability is claimed or, where appropriate and at the option of Seller to replacement of the goods or part thereof. In no case will Seller be liable for any bodily injury, death, or property damage resulting from or in any way arising out of the products or their use or manufacture. IN NO EVENT SHALL SELLER BE LIABLE FOR INCIDENTAL OR CONSEQUENTIAL DAMAGES, LAWSUITS, OR EXPENSES ARISING OUT OF ANY SALE, CONTRACT OR TRANSACTION WITH BUYER.

Seller will not be liable for any failure or damages caused by abuse of its products, improper installation, improper application or use, fire, accidents or results thereof, improper maintenance or acts of God.

THESE ARE SELLER'S ONLY WARRANTIES. SELLER MAKES NO OTHER WARRANTY OF ANY KIND WHATSOEVER, EXPRESS OR IMPLIED. ALL IMPLIED WARRANTIES OF MERCHANTABILITY AND/OR FITNESS FOR A PARTICULAR PURPOSE ARE HEREBY DISCLAIMED BY SELLER AND EXCLUDED.









# NOTES



A series of 20 horizontal lines for writing notes, spanning most of the page width.



# WEBB VORTEX®

The patented Webb Vortex® brake drum runs cooler to last longer. This advanced brake drum technology improves brake performance and cuts maintenance costs. Your Webb supplier can help you match the right Webb Vortex® drum to your particular application.

Find out more at  
webbwheel.com/vortex



Select heavy-duty and severe-duty rotors are offered with Webb's unique LifeShield™ heat treatment process which creates an invisible protective layer across the entire rotor surface to fight corrosion and to extend product life 2x for lower maintenance/operating costs.

Find out more at  
webbwheel.com/lifeshield



Mobile



On-line



Print



Videos



On-Site

## We're here to help... Whenever and wherever "here" is.

Contact your local Webb Products supplier for training that can cut wheel-end operating costs for your fleet. Webb offers mobile apps, website training, printed materials, "How-to" videos and on-site training at your location.

Find out more at  
webbwheel.com/training



### Webb Technical Training Modules

**Proper Brake Drum Selection Video**  
This instructional video explains how to select the right drum design for your application.  
Learn more! [View this video now.](#)

**Get Certified**  
After viewing the video test your knowledge with this assessment by Webb.



Made in the USA



www.webbwheel.com

Contact your local Webb Wheel Products supplier for training that can cut your operating costs!

A Marmon | Berkshire Hathaway Company

Scan this QR code to get certified on brake drum selection and wheel-end installation, and we'll send a token of our appreciation.



©2019 Webb Wheel Products Inc.  
June 2022 • SD-090-R6